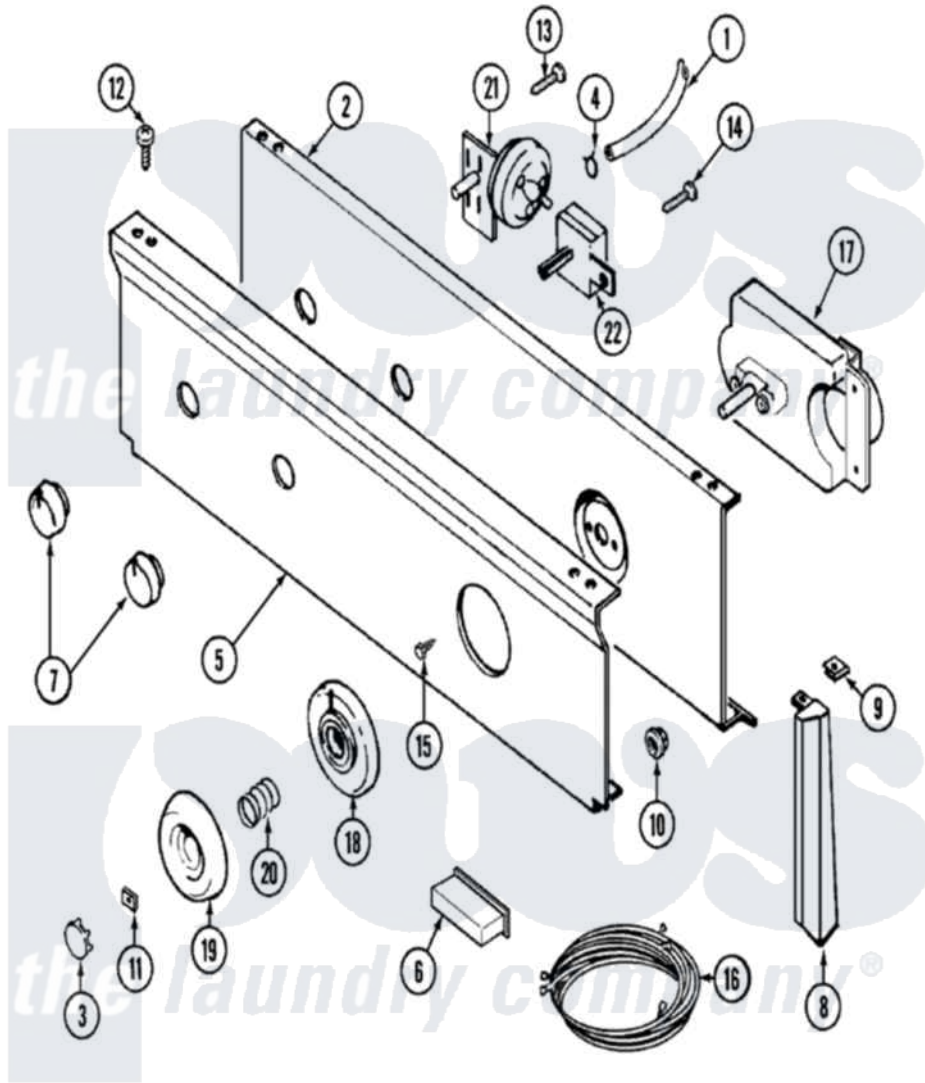


Maytag LAT9235AAE 04 - CONTROL PANEL



Maytag [Residential Maytag LAT9235AAE Washer Parts](#) Parts Diagram 04 - CONTROL PANEL
 Click on the part number to view part

| Item | Original Part Number | Replaced By | Status | Part Description |
|------|--------------------------|--------------------------|---------------|--------------------------------------|
| 1 | 22001036 | 22001619 | | Tube, Water Level Switch |
| 2 | 315483 | 3370225 | | Screw |
| " | 204807 | | | Ground Wire, Supp. Plte To Top Cover |
| " | 22001132 | | | Plate, Support |
| 3 | 22001446 | | | Cap, Knob |
| 4 | 410296 | 596669 | | Clamp, Manifold |
| 5 | 22001537 | | | Panel, Control |
| 6 | 214897 | | | Pad, Control Panel |
| 7 | 22001268 | | Not Available | KNOB ASSY. (WHT) |
| 8 | 22001291 | | | End Cap, Control Panel |
| " | 22001564 | | | Cap, End |
| " | 22001565 | | Not Available | CAP, END (LT-WHT) |
| " | 22001289 | | Not Available | END CAP, CTRL. PNL. (LT-WHT) |
| 9 | 214894 | | | Fastener, End Cap |
| 10 | 214872 | | | Panelnut, End Cap Note: Nut, |

| | | | |
|----|--------------------------|---------------------------|--|
| 10 | 214972 | | Lamp Holder |
| 11 | 211605 | | Bezel, Timer Dial |
| 12 | 210932 | | Screw, No.8 X 9/16 Ctsk Note: Screw, Inlet Duct |
| 13 | 211168 | W10139210 | Screw, 8-18 X 5/16 |
| 14 | 211168 | W10139210 | Screw, 8-18 X 5/16 |
| 15 | 216412 | | Screw, Bracket To Timer |
| 16 | 22001316 | | Wire Harness, Main |
| 17 | 22001538 | | Timer |
| 18 | 22001265 | | Bezel, Timer Knob |
| 19 | 22001198 | Not Available | KNOB, TIMER (WHT) |
| 20 | 211065 | | Spring, Index Wheel |
| 21 | 208201 | | Switch, Pressure |
| 22 | 208283 | Not Available | SWITCH, WATER TEMPERATURE |
| 23 | 22001534 | Not Available | MANUAL, USE & CARE |
| " | 22001535 | Not Available | MANUAL, USE & CARE (FRENCH) |

