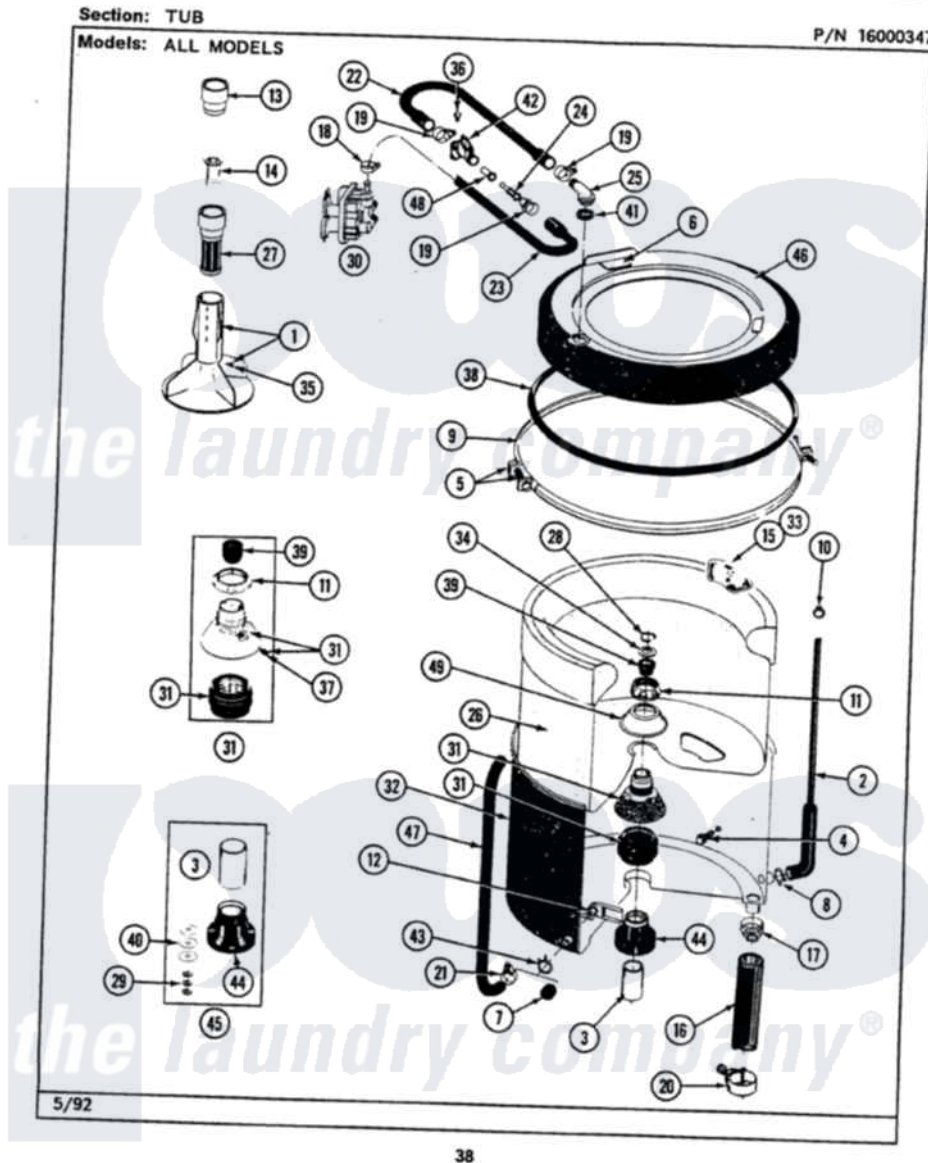


Maytag LAT9400AGW 08 - TUB



Maytag [Residential Maytag LAT9400AGW Washer Parts](#) Parts Diagram 08 - TUB
Click on the part number to view part

| Item | Original Part Number | Replaced By | Status | Part Description |
|------|------------------------|---------------------------|--------|-------------------------------|
| 1 | 207228 | | | Agitator W/Lock Screw |
| 2 | 212942 | 22001619 | | Tube, Water Level Switch |
| 3 | 211130 | | | Bearing Liner, Tub Bearing |
| 4 | 200744 | W10175939 | | Bolt |
| " | 205254 | W10175938 | | Bolt |
| 5 | 205529 | | | Nut And Bolt Kit For Tub Clam |
| 6 | 215232 | | | Bumper, Unbalance |
| 8 | 211641 | | | Clamp, 1-1/16" |
| 9 | 200846 | | | Clamp - Tub Cover |
| 10 | 410296 | 596669 | | Clamp, Manifold |
| 11 | 211047 | 6-2110472 | | Nut- Clamp |
| 12 | 214434 | | | Spout, Deflector |
| 13 | 215721 | | | Dispensing Cap |
| 14 | 215733 | | | Dispensing Cup |
| 15 | 207219 | | | Filter, Self-Cleaning |
| 16 | 213045 | | | Hose, Outer Tub Part Not Used |

| | | | |
|----|-------------------------|---------------------------|-----------------------------|
| 17 | 200900 | 616099 | Clamp |
| 18 | 201575 | | Clamp, Hose |
| 19 | 202515 | 596669 | Clamp, Manifold |
| 20 | 202574 | 3367052 | Clamp, Hose |
| 21 | 205161 | 489503 | Clamp |
| 22 | Y215234 | | Hose, Injector Fill |
| 23 | 213013 | | Hose, Injector |
| 24 | 213015 | | Nozzle, Injector |
| 25 | 215235 | | Tube, Injector |
| 26 | 207831 | Not Available | TUB, INNER (W/PLUG) |
| 28 | Y015667 | | Retaining Ring |
| 29 | Y054867 | | Washer, Lock |
| 30 | 205613 | | Water Valve |
| 31 | 204012 | 6-2095720 | Mounting S |
| 32 | 205484 | | Tub, Outer Part Not Used |
| 34 | Y015666 | | Washer, Retaining - |
| 35 | 206478 | Not Available | SCREW & WASHER FOR AGITATOR |
| 36 | 312620 | | Screw, Sems |
| 37 | 211618 | 22001423 | Set Screw, Mounting Stem |
| 38 | 211232 | | Seal, Tub Cover |
| 39 | Y0A4298 | 6-0A57420 | Seal- Agitator |
| 40 | 211100 | | Washer, Outer Tub |
| 41 | 215233 | | Seal For Injector Tube |
| 42 | 215447 | | Sleeve For Injector |
| 43 | 214739 | 596669 | Clamp, Manifold |
| 44 | 200824 | 6-2040130 | Tub Bearin |
| 45 | 204013 | 6-2040130 | Tub Bearin |
| 46 | 206380 | Not Available | COVER, TUB |
| 47 | 214433 | | Tube, Inlet Part Not Used |
| 48 | 213016 | 216201 | Nozzle |
| 49 | 211210 | | Washer, Clamping Nut |

