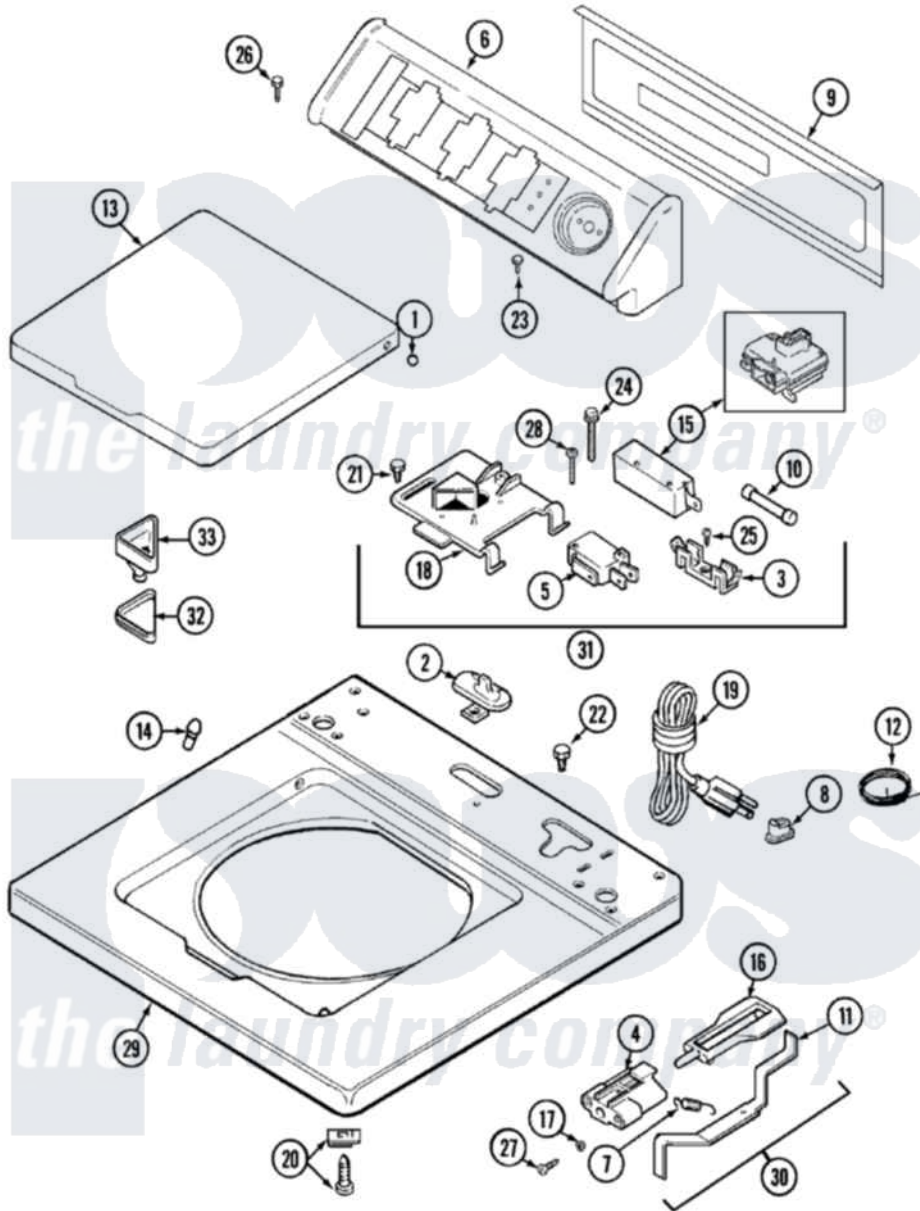


# Maytag LAT9416AAQ 05 - TOP (9416)



Maytag [Residential Maytag LAT9416AAQ Washer Parts](#) Parts Diagram 05 - TOP (9416)  
 Click on the part number to view part

Item	Original Part Number	Replaced By	Status	Part Description
1	<a href="#">211726</a>			Hinge, Ball Lid
2	<a href="#">22001298</a>			Cap, Top Cover
"	207159	<a href="#">489355</a>		Screw, 8 X 1/2
4	<a href="#">22002135</a>			Bracket, Unbalance
6	22002616		Not Available	CONSOLE (BSQ)
7	<a href="#">213720</a>			Spring, Lid Switch
8	<a href="#">211881</a>			Grommet, Cord Part Not Used- Gas Models Only
9	216423	<a href="#">3370225</a>		Screw
"	<a href="#">22001814</a>			Back Panel, Console
"	22001662	<a href="#">8534058</a>		Screw
11	<a href="#">22001968</a>			Lever, Unbalance
12	Y705026	<a href="#">3370225</a>		Screw
"	<a href="#">22001654</a>			Wire, Ground
13	22002654		Not Available	LID, WITH LEGEND (BSQ)
14	<a href="#">212716</a>			Bumper, Lid
15	22001967	<a href="#">12001908</a>		Switch-Lid

"	<a href="#">22001972</a>		Clip, Cabinet
16	<a href="#">216255</a>		Plunger, Lid Switch
17	<a href="#">211500</a>		Washer, Bracket To Top Cover
19	208194	<a href="#">22003062</a>	Cord, Power
20	22001402	<a href="#">214354</a>	Screw, Top Cover To Cabnt.
21	207159	<a href="#">489355</a>	Screw, 8 X 1/2
22	Y705026	<a href="#">3370225</a>	Screw
23	216423	<a href="#">3370225</a>	Screw
24	<a href="#">213501</a>		Screw, No.6-20 X 1-1/8 Inch
25	<a href="#">Y311711</a>		Screw, Fuse Block
26	216423	<a href="#">3370225</a>	Screw
27	22001600	<a href="#">25-7809</a>	Screw, No.6-20 1/2 Flthd Torx
28	<a href="#">22001352</a>		Screw, Check Switch
29	<a href="#">22002650</a>		Cover, Top Assembly
30	<a href="#">22001969</a>		Unbalance Lever Assembly
31	<a href="#">22001682</a>		Switch Assembly, Lid W/4amp Fuse
32	215374	Not Available	GASKET FOR BLEACH CUP
33	22002596	<a href="#">22001008</a>	Cup, Bleach

