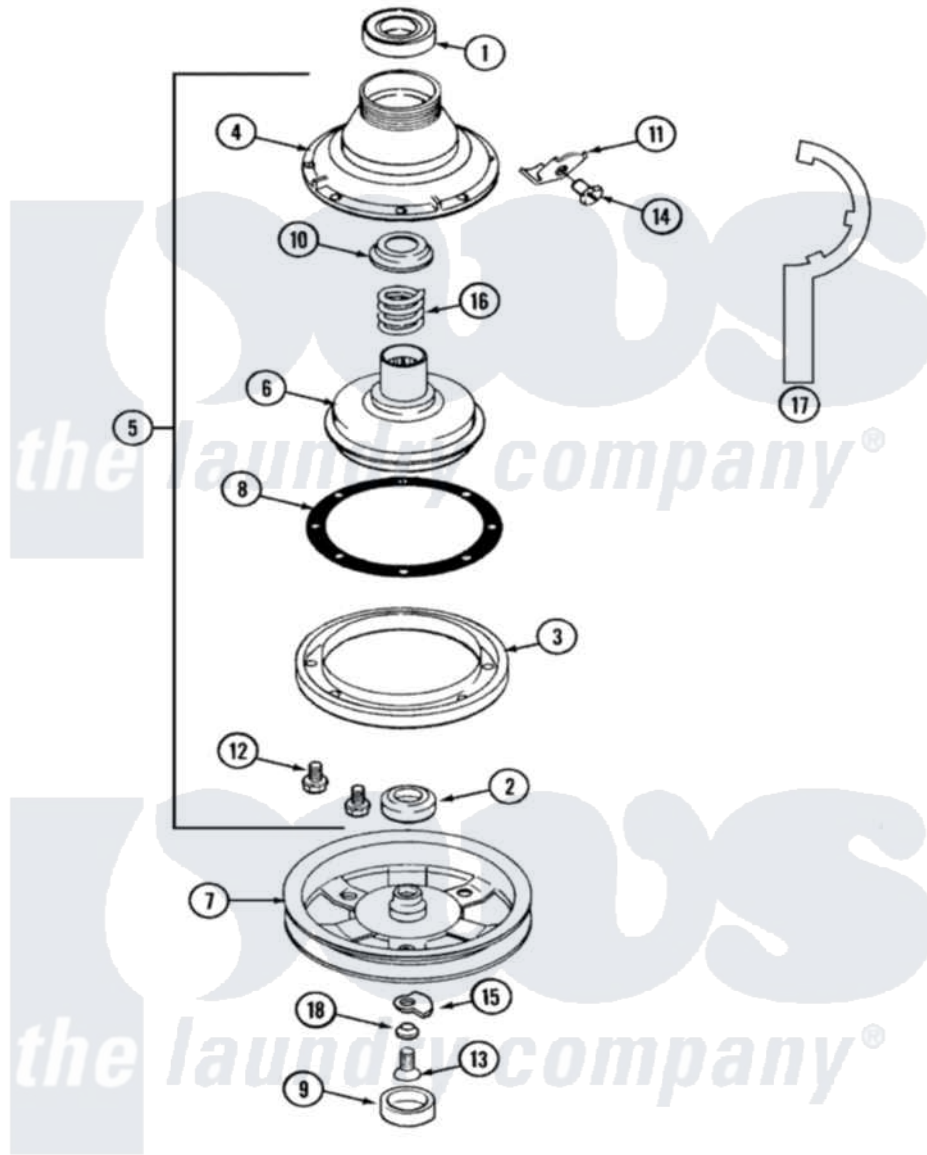


# Maytag LAT9604AAL 03 - CLUTCH, BRAKE & BELTS



Maytag Residential Maytag LAT9604AAL Washer Parts Parts Diagram 03 - CLUTCH, BRAKE & BELTS  
 Click on the part number to view part

| Item | Original Part Number   | Replaced By               | Status        | Part Description             |
|------|------------------------|---------------------------|---------------|------------------------------|
| 1    | Y200720                | <a href="#">22003441</a>  |               | Bearing, Rear                |
| 2    | <a href="#">200835</a> |                           |               | Bearing, Brake Rotor         |
| 3    | 211043                 | <a href="#">6-2011900</a> |               | Brake Asse                   |
| 4    | 211045                 | <a href="#">6-2011900</a> |               | Brake Asse                   |
| 5    | 201190                 | <a href="#">6-2011900</a> |               | Brake Asse                   |
| 6    | 201126                 | <a href="#">6-2011900</a> |               | Brake Asse                   |
| 7    | 211059                 | <a href="#">6-2301530</a> |               | Pulley                       |
| 8    | 211042                 | <a href="#">6-2011900</a> |               | Brake Asse                   |
| 9    | 211038                 |                           | Not Available | CAP, OIL RETAINER            |
| 10   | 211039                 | <a href="#">6-2011900</a> |               | Brake Asse                   |
| 11   | <a href="#">213325</a> |                           |               | Clip, Retaining              |
| 12   | 211000                 |                           |               | SCREW, BRAKE DRUM (HEX HEAD) |
| 13   | 211375                 | <a href="#">681582</a>    |               | Screw                        |
| 14   | <a href="#">213326</a> |                           |               | Bolt, Sems Retaining Clip    |
| 15   | <a href="#">211089</a> |                           |               | Lug, Stop Pulley             |
| 16   | 211041                 | <a href="#">6-2011900</a> |               | Brake Asse                   |

