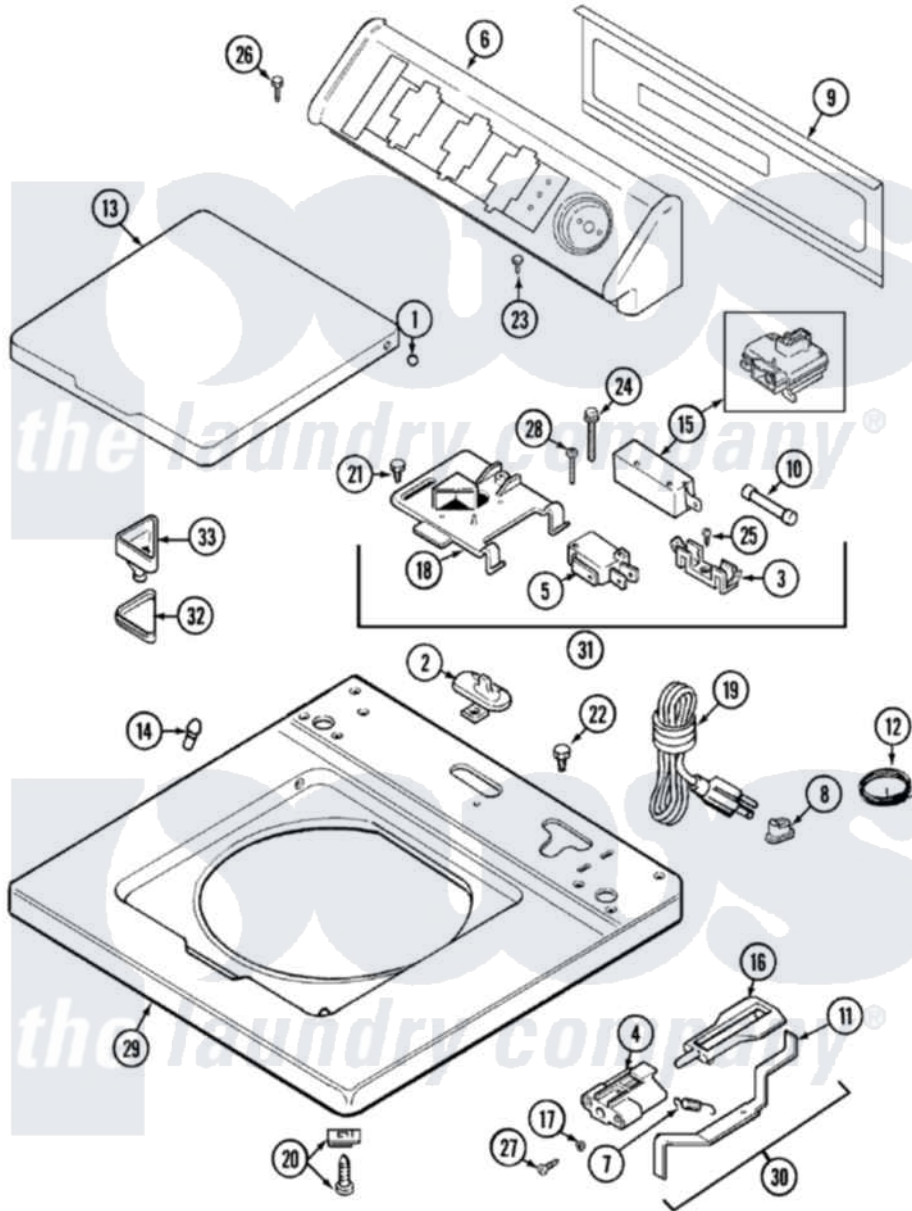


Maytag LAT9806AAE 05 - TOP (9806)



Maytag [Residential Maytag LAT9806AAE Washer Parts](#) Parts Diagram 05 - TOP (9806)
 Click on the part number to view part

Item	Original Part Number	Replaced By	Status	Part Description
1	211726			Hinge, Ball Lid
2	22001298			Cap, Top Cover
"	207159	489355		Screw, 8 X 1/2
3	W10124350		Not Available	NOT REQUIRED PART OR SEE NOTE
"	207167			Block, Fuse
4	22002135			Bracket, Unbalance
"	22001645		Not Available	BRACKET, UNBALANCE---NA
5	W10124350		Not Available	NOT REQUIRED PART OR SEE NOTE
"	207166			Switch, Check
6	22001670			Console
7	213720			Spring, Lid Switch
8	211881			Grommet, Cord Part Not Used-Gas Models Only
9	22001662	8534058		Screw
"	216423	3370225		Screw

"	22001814		Back Panel, Console
10	W10124350	Not Available	NOT REQUIRED PART OR SEE NOTE
"	22001673	22001682	Switch Assembly, Lid W/4amp Fuse
11	22001672		Lever, Unbalance
"	22001968		Lever, Unbalance
12	22001654		Wire, Ground
"	Y705026	3370225	Screw
13	22001676	22001893	Lid
"	22001674	22001893	Lid
14	212716		Bumper, Lid
15	205415	279347	Switch-Lid
"	22001967	12001908	Switch-Lid
16	216255		Plunger, Lid Switch
17	211500		Washer, Bracket To Top Cover
18	22001678		Bracket, Switch And Fuse
"	W10124350	Not Available	NOT REQUIRED PART OR SEE NOTE
19	208194	22003062	Cord, Power
20	22001402	214354	Screw, Top Cover To Cabnt.
21	207159	489355	Screw, 8 X 1/2
22	Y705026	3370225	Screw
23	216423	3370225	Screw
24	213501		Screw, No.6-20 X 1-1/8 Inch
25	Y311711		Screw, Fuse Block
26	216423	3370225	Screw
27	22001600	25-7809	Screw, No.6-20 1/2 Flthd Torx
28	22001352		Screw, Check Switch
29	22001781	22002145	Cover Assembly, Top
30	22001969		Unbalance Lever Assembly
"	22001681		Unbalance Lever Assembly
31	22001682		Switch Assembly, Lid W/4amp Fuse
"	22001967	12001908	Switch-Lid
32	215374	Not Available	GASKET FOR BLEACH CUP
33	22001006		Cup, Bleach

