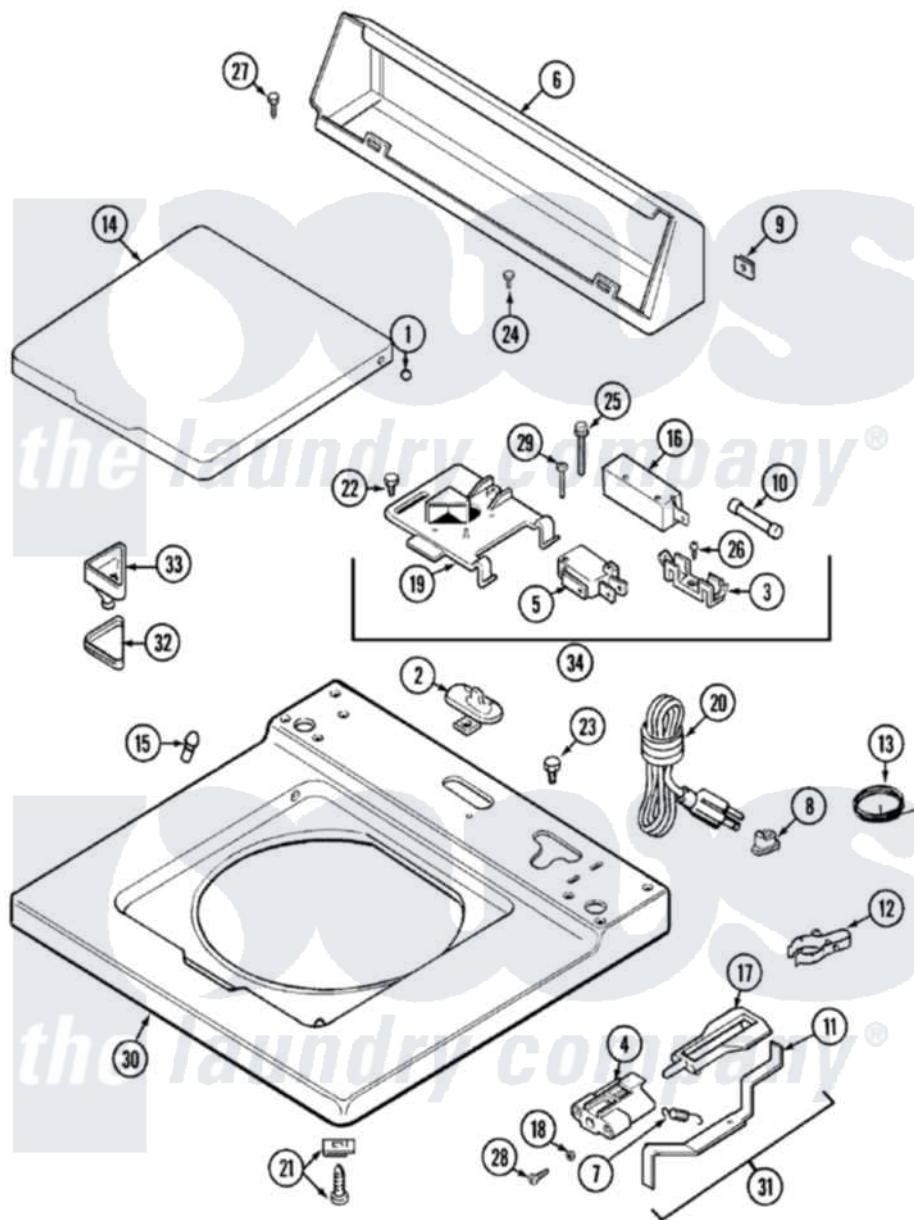


# Maytag LAT9824ABE 05 - TOP



Maytag [Residential Maytag LAT9824ABE Washer Parts](#) Parts Diagram 05 - TOP  
 Click on the part number to view part

Item	Original Part Number	Replaced By	Status	Part Description
1	<a href="#">211726</a>			Hinge, Ball Lid
2	207159	<a href="#">489355</a>		Screw, 8 X 1/2
"	<a href="#">22001298</a>			Cap, Top Cover
3	<a href="#">207167</a>			Block, Fuse
4	216256		Not Available	BRACKET, UNBALANCE
5	<a href="#">207166</a>			Switch, Check
6	<a href="#">205635</a>			Console
7	<a href="#">213720</a>			Spring, Lid Switch
8	<a href="#">211881</a>			Grommet, Cord Part Not Used-Gas Models Only
9	<a href="#">215075</a>			Fastener, Control Panel To Console
10	207168	<a href="#">22001682</a>		Switch Assembly, Lid W/4amp Fuse
11	<a href="#">22001136</a>			Lever, Unbalance
12	<a href="#">301548</a>			Clamp, Ground Wire
13	<a href="#">311155</a>			Ground Wire And Clamp

14	22001028	<a href="#">22001893</a>	Lid
15	<a href="#">212716</a>		Bumper, Lid
16	205415	<a href="#">279347</a>	Switch-Lid
17	<a href="#">216255</a>		Plunger, Lid Switch
18	<a href="#">211500</a>		Washer, Bracket To Top Cover
19	Y215699	<a href="#">22001678</a>	Bracket, Switch And Fuse
20	208194	<a href="#">22003062</a>	Cord, Power
21	<a href="#">204445</a>		Screw And Fastener Assembly
22	207159	<a href="#">489355</a>	Screw, 8 X 1/2
23	315483	<a href="#">3370225</a>	Screw
24	216423	<a href="#">3370225</a>	Screw
25	<a href="#">213501</a>		Screw, No.6-20 X 1-1/8 Inch
26	<a href="#">Y311711</a>		Screw, Fuse Block
27	<a href="#">Y313559</a>		Screw
28	910182	<a href="#">25-7809</a>	Screw, No.6-20 1/2 Flthd Torx
29	<a href="#">22001352</a>		Screw, Check Switch
30	<a href="#">22001119</a>		Top, Main
31	<a href="#">22001311</a>		Unbalance Lever Assembly
32	215374	Not Available	GASKET FOR BLEACH CUP
33	22001202	<a href="#">22001006</a>	Cup, Bleach
34	207176	<a href="#">22001682</a>	Switch Assembly, Lid W/4amp Fuse

