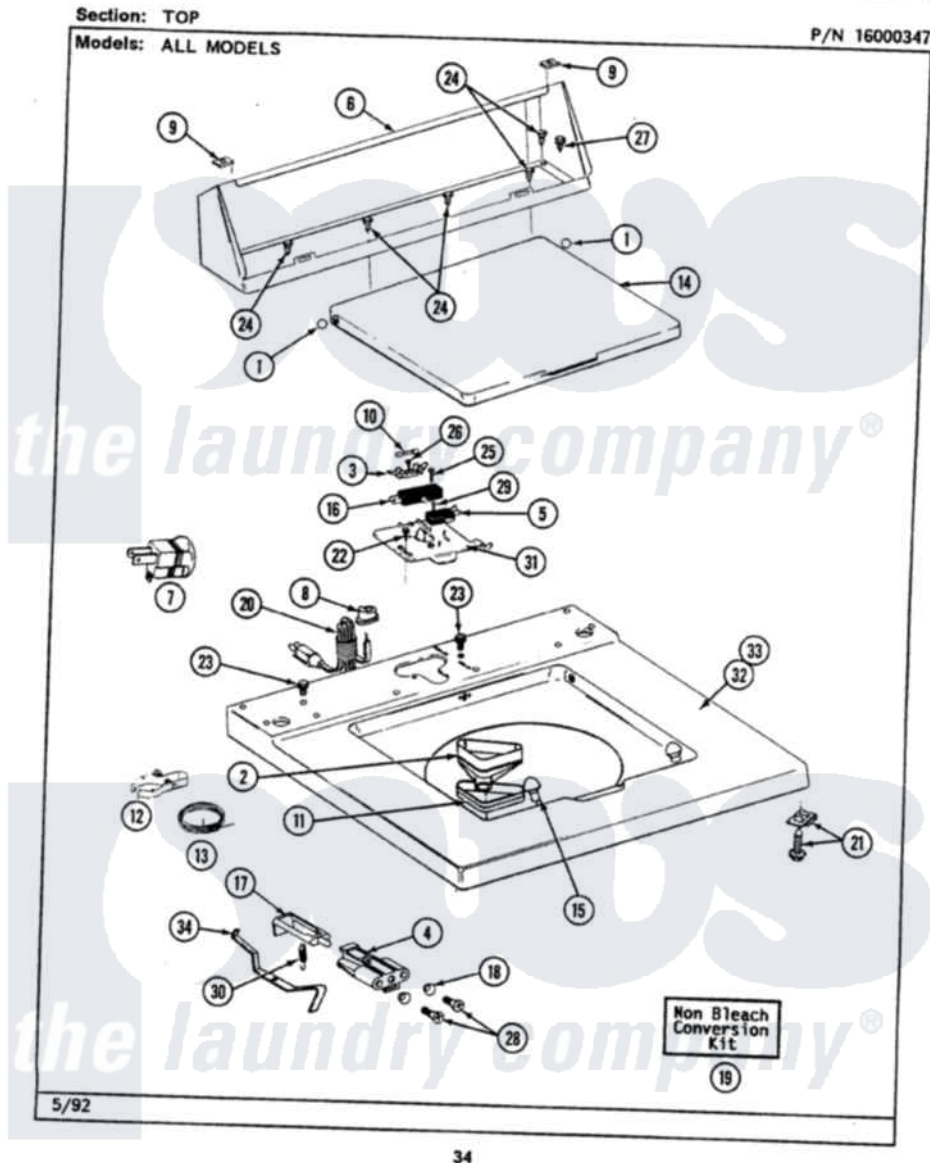


# Maytag LAT9900ABL 05 - TOP



Maytag [Residential Maytag LAT9900ABL Washer Parts](#) Parts Diagram 05 - TOP  
 Click on the part number to view part

Item	Original Part Number	Replaced By	Status	Part Description
1	<a href="#">211726</a>			Hinge, Ball Lid
2	<a href="#">215578</a>			Bleach Inlet Almond
4	214279	<a href="#">204968</a>		Plunger And Bracket Assembly--W
6	205635L		Not Available	CONSOLE (ALM)
7	<a href="#">Y201808</a>			Converter
8	<a href="#">211881</a>			Grommet, Cord Part Not Used-Gas Models Only
9	<a href="#">215075</a>			Fastener, Control Panel To Console
11	<a href="#">214436</a>			Gasket
12	<a href="#">301548</a>			Clamp, Ground Wire
13	<a href="#">311155</a>			Ground Wire And Clamp
14	216073L		Not Available	(ALMOND)---NA
15	<a href="#">212716</a>			Bumper, Lid
16	205415	<a href="#">279347</a>		Switch-Lid
17	215700		Not Available	LID SWITCH PLUNGER

18	<a href="#">211500</a>		Washer, Bracket To Top Cover
19	<a href="#">205997</a>		Non-Bleach Conversion Kit
20	206835	Not Available	POWER CORD
21	<a href="#">204445</a>		Screw And Fastener Assembly
22	207159	<a href="#">489355</a>	Screw, 8 X 1/2
23	210186	<a href="#">3370225</a>	Screw
24	211294	<a href="#">90767</a>	Screw, 8A X 3/8 HeX Washer Head Tapping
25	<a href="#">213501</a>		Screw, No.6-20 X 1-1/8 Inch
27	<a href="#">Y313559</a>		Screw
28	910182	<a href="#">25-7809</a>	Screw, No.6-20 1/2 Flthd Torx
30	<a href="#">213720</a>		Spring, Lid Switch
31	Y215699	<a href="#">22001678</a>	Bracket, Switch And Fuse
32	<a href="#">207170L</a>		Top Cover Assembly ALM--- NA
34	<a href="#">215704</a>		Lever, Unbalance

