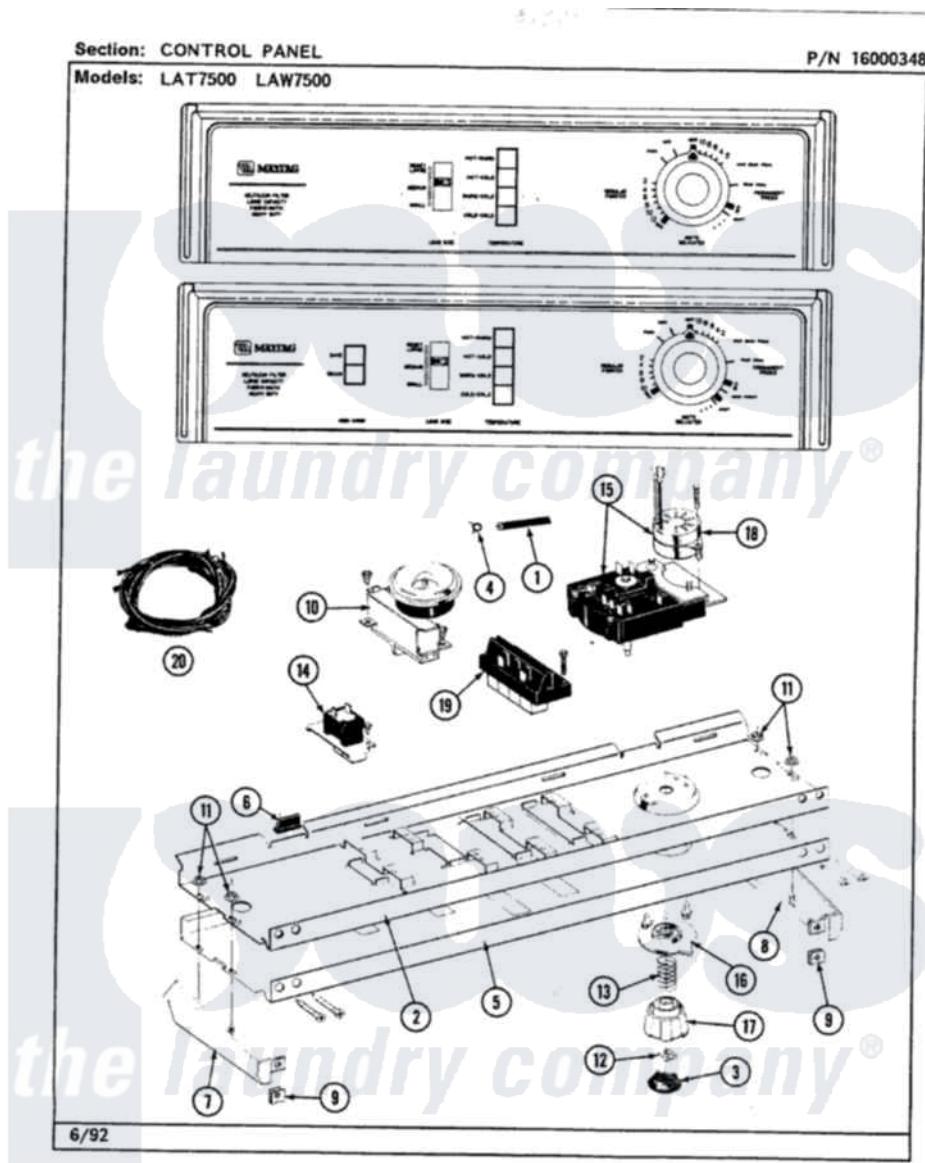


Maytag LAW7500AAW 04 - CONTROL PANEL



12

Maytag [Residential Maytag LAW7500AAW Washer Parts](#) Parts Diagram 04 - CONTROL PANEL
 Click on the part number to view part

Item	Original Part Number	Replaced By	Status	Part Description
1	212942	22001619		Tube, Water Level Switch
2	214809			Back Up Plate
"	210932			Screw, No.8 X 9/16 Ctsk Note: Screw, Inlet Duct
3	215821		Not Available	CAP, KNOB
4	410296	596669		Clamp, Manifold
5	207918		Not Available	CONTROL PANEL
"	210932			Screw, No.8 X 9/16 Ctsk Note: Screw, Inlet Duct
6	214897			Pad, Control Panel
7	207215		Not Available	END CAP LH
8	207216		Not Available	END CAP RH
9	214894			Fastener, End Cap
10	211168	W10139210		Screw, 8-18 X 5/16
"	207362		Not Available	INFINITE LEVEL PRESSURE SWITCH
11	214872			Palnut, End Cap Note: Nut, Lamp Holder

12	211605		Bezel, Timer Dial
13	211065		Spring, Index Wheel
14	207365		2 Button Switch
"	211168	W10139210	Screw, 8-18 X 5/16
15	207375	Not Available	TIMER
"	213966	3400014	Screw
16	215827	Not Available	TIMER DIAL SKIRT
17	215828		Knob, Timer
18	205033	22205033	Motor- Tim
19	213117	67006908	Screw, Ice Rack
"	207367	Not Available	TEMP CONTROL SWITCH - 4 BUTTON
20	207409		Wire Harness
"	207382		Wire Harness

the laundry company[®]

the laundry company[®]

the laundry company[®]