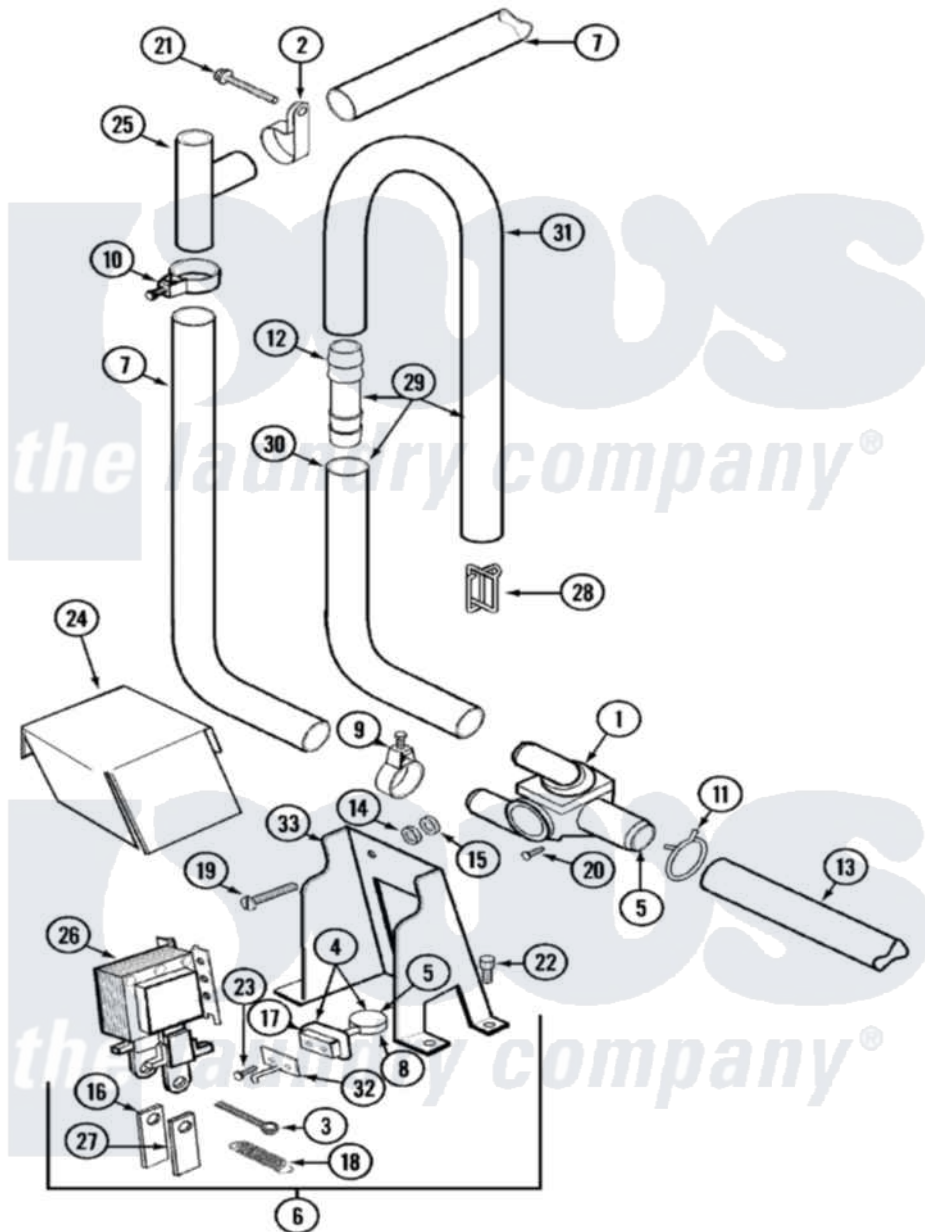


# Maytag LAW9304AAE 08 - WATER SAVER COMPONENTS



Maytag [Residential Maytag LAW9304AAE Washer Parts](#) Parts Diagram 08 - WATER SAVER COMPONENTS  
 Click on the part number to view part

Item	Original Part Number	Replaced By	Status	Part Description
1	<a href="#">204313</a>			Body For Diverter Valve
2	<a href="#">211448</a>			Clamp
3	<a href="#">052366</a>			Cotter Key, 1/8 X 7/8
4	204823	<a href="#">202504</a>		Diverter Value Cover/Flapper
5	<a href="#">202504</a>			Diverter Value Cover/Flapper
6	<a href="#">201168</a>			Diverter Valve
7	211110	<a href="#">22001833</a>		Hose, Drain
8	<a href="#">211083</a>			Flapper
9	200461	<a href="#">285655</a>		Clamp, Hose
10	200908	<a href="#">285655</a>		Clamp, Hose
11	202574	<a href="#">3367052</a>		Clamp, Hose
12	211111	<a href="#">16272</a>		Connector, Straight
13	<a href="#">211518</a>			Hose
14	052690		Not Available	HEX. NUT, No.10-32
15	Y311426	<a href="#">3400029</a>		Nut, Adapter Plate
16	<a href="#">213855</a>			Pin, Pivot

17	213856	Not Available	RETAINER
18	<a href="#">211085</a>		Return Spring
19	Y054260	<a href="#">67006380</a>	Screw, Center Hinge
20	214332	<a href="#">90767</a>	Screw, 8A X 3/8 HeX Washer Head Tapping
21	Y310842	<a href="#">8182296</a>	Screw, Agitator
22	910091	<a href="#">3370225</a>	Screw
23	911266	Not Available	SCREW, STRAINER TO PUMP
24	211388	Not Available	SHIELD
25	201112	<a href="#">76660</a>	Break-Sphn
26	<a href="#">200806</a>		Solenoid
27	<a href="#">211087</a>		Solenoid Link
28	<a href="#">212056</a>		Strainer
29	<a href="#">200736</a>		Suds Return Hose
30	<a href="#">211171</a>		Suds Return Hose-Lower
31	<a href="#">211170</a>		Suds Hose, Upper
32	<a href="#">200828</a>		Valve Arm Assembly
33	<a href="#">211516</a>		Valve Bracket

