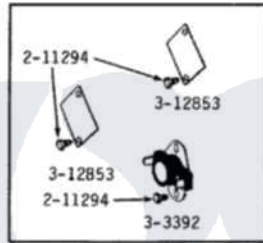


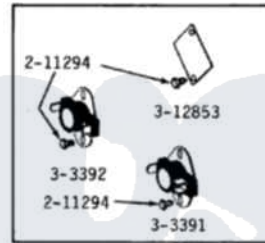
Maytag LDE110 07 - MOTOR, BLOWER, BASE FRAME & THERMOSTATS

MODELS DE-DG110-210-410-510-610-710-810

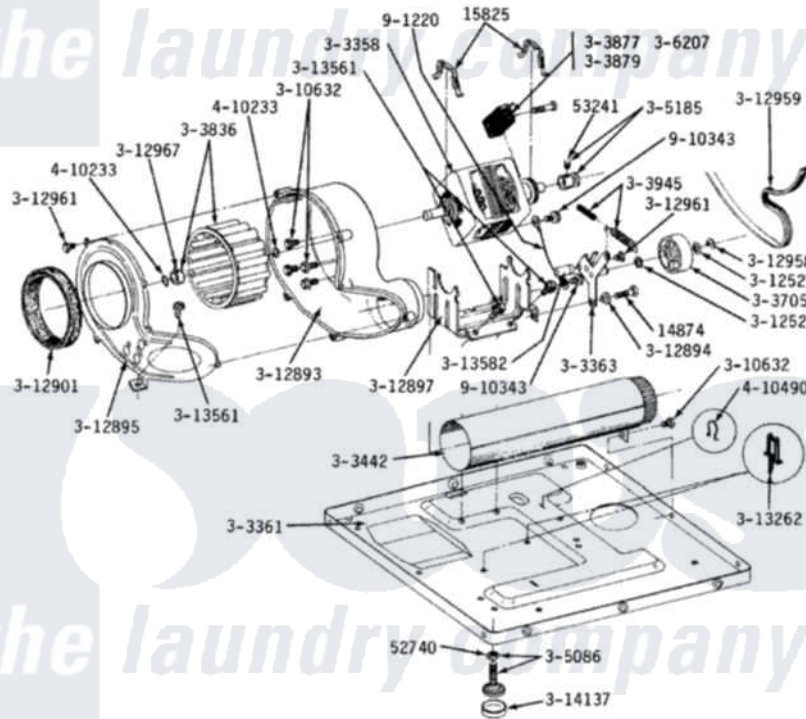
MOTOR, BLOWER, BASE FRAME & THERMOSTATS



MODEL DE-DG110
THERMOSTAT



MODEL DE-DG210
THERMOSTATS



Maytag Residential Maytag LDE110 Dryer Parts Parts Diagram 07 - MOTOR, BLOWER, BASE FRAME & THERMOSTATS

[Click on the part number to view part](#)

Item	Original Part Number	Replaced By	Status	Part Description
1	Y014874			Screw, Idler Arm And Sleeve
2	Y015825			Clip, Motor To Motor Support
3	Y052740	62739		Nut, Lock
4	Y053241			Set Screw, Motor Pulley
5	211294	90767		Screw, 8A X 3/8 HeX Washer Head Tapping
6	Y303358	W10410999		Motor-Drve
7	Y303361		Not Available	BASE ASSY. (UPPER & LOWER)
8	Y303363	6-3033630		Idler Arm
9	Y303391	33303391		Thermostat, Cycling
10	303392			Thermostat, Cycling
11	Y303394			Cool-Down Thermostat
12	Y303442			EXHAUST DUCT ASSEMBLY
13	Y303705	6-3037050		Pulley- ID
14	Y303836			Blower Wheel Assembly And Clamp

15	Y303877		Not Available	SWITCH, MOTOR EXTERNAL START No.303358-2, No.303358-4, 303358-7
16	Y303879			Switch, Motor External Start
17	Y303945			IDLER SPRING ASSY. W/PLUG
18	Y304474			Cycling Thermostat 150 Deg.
19	Y304475			Cycling Thermostat 140 Deg.
20	Y305086			Adjustable Leg And Nut
21	Y305185	6-3051850		Pulley- MO
22	Y310632	1163839		Screw
23	306207		Not Available	(PROD. No.303358-8 & No.303358-9)
24	Y312527			Washer, Idler Shaft
25	Y312853			Cover For Thermostat Openin
26	Y312893			Housing, Blower
27	Y312894	315772		Sleeve, Idler Arm
28	Y312895		Not Available	COVER FOR BLOWER----NA
29	312897		Not Available	SUPPORT, MOTOR
30	Y312901			Seal, Housing Cover
31	312958	354987		Ring, Retaining
32	Y312959			Poly "V" Belt For Tumbler
33	Y312961	W10116751		Screw
34	312967			Clamp, Blower Housing
35	Y313262	W10116752		Retainer-
36	Y313561			Screw----NA
37	Y313582	W10116756		Spacer
38	Y314137			Foot, Rubber
39	410233	9703438		Ring-Retrn
40	410490			Spring, Retainer Wire Harness
41	901220			Ground Wire
42	910343	488234		Screw 8-32 X 1/4

