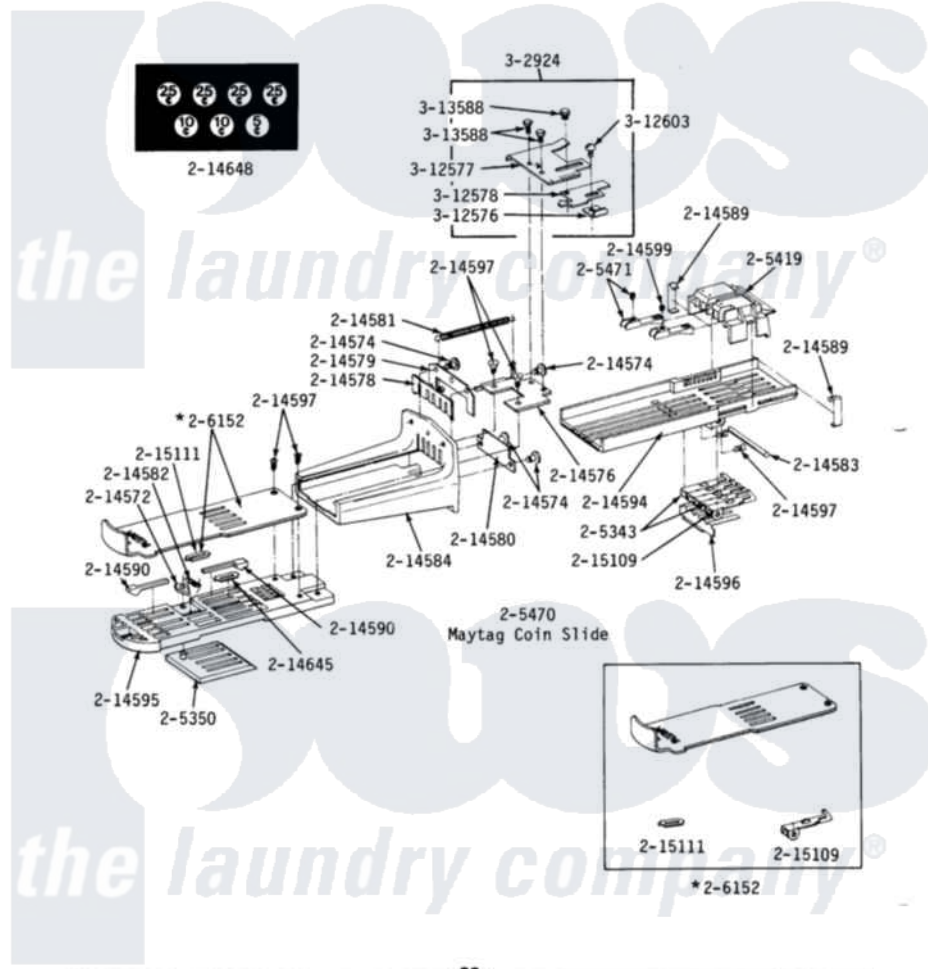


DE-DG18CM-CS MAYTAG COIN SLIDE



Maytag Residential Maytag LDE18CS Dryer Parts Parts Diagram 05 - MAYTAG COIN SLIDE
 Click on the part number to view part

Item	Original Part Number	Replaced By	Status	Part Description
001	205343		Not Available	LOWER GAGE ARM ASSEMBLY
002	205350			Stop Block Assembly
003	NLA		Not Available	MEASURING BLOCK ASSEMBLY
004	NLA		Not Available	MAYTAG COIN SLIDE
005	NLA		Not Available	MOVABLE COIN GAGE
006	NLA		Not Available	SLIDE PLATE W/NICKEL INSERT
007	214572		Not Available	ARM, RATCHET
008	NLA		Not Available	STUD FOR COIN SLIDE
009	NLA		Not Available	END BRACKET FOR SLIDE
010	214578			Gate For Coin Opening
011	NLA		Not Available	RETAINER FOR GATE
012	NLA		Not Available	RETAINER FOR GAGE SPRING
013	214581			Spring, Return
014	214582			Spring For Ratchet Arm

015	NLA	Not Available	PIN FOR LOWER GAGE ARM
016	214584	Not Available	HOUSING FOR COIN SLIDE
017	214589		Clip, Spring
018	NLA	Not Available	PLUG FOR COIN OPENING
019	214594	Not Available	BASE INSERT FOR HOUSING
020	NLA	Not Available	SLIDE BODY
021	214596		Spring For Lower Gage Arm
022	214597		Screw
023	NLA	Not Available	SET SCREW FOR GAGE
024	NLA	Not Available	DIME INSERT
025	214648		Decal, Coinage
026	NLA	Not Available	LOWER GAGE ARM
027	NLA	Not Available	NICKEL INSERT
028	Y302924	Not Available	ACTUATOR KIT-DRYER SLIDES
029	Y312576		Zero Slide Adjustment
030	Y312577		Bracket For Slide
031	Y312578		Slide Adjustment
032	NLA	Not Available	SCREW ADJUSTMENT ASSEMBLY
033	Y313588	488234	Screw 8-32 X 1/4

