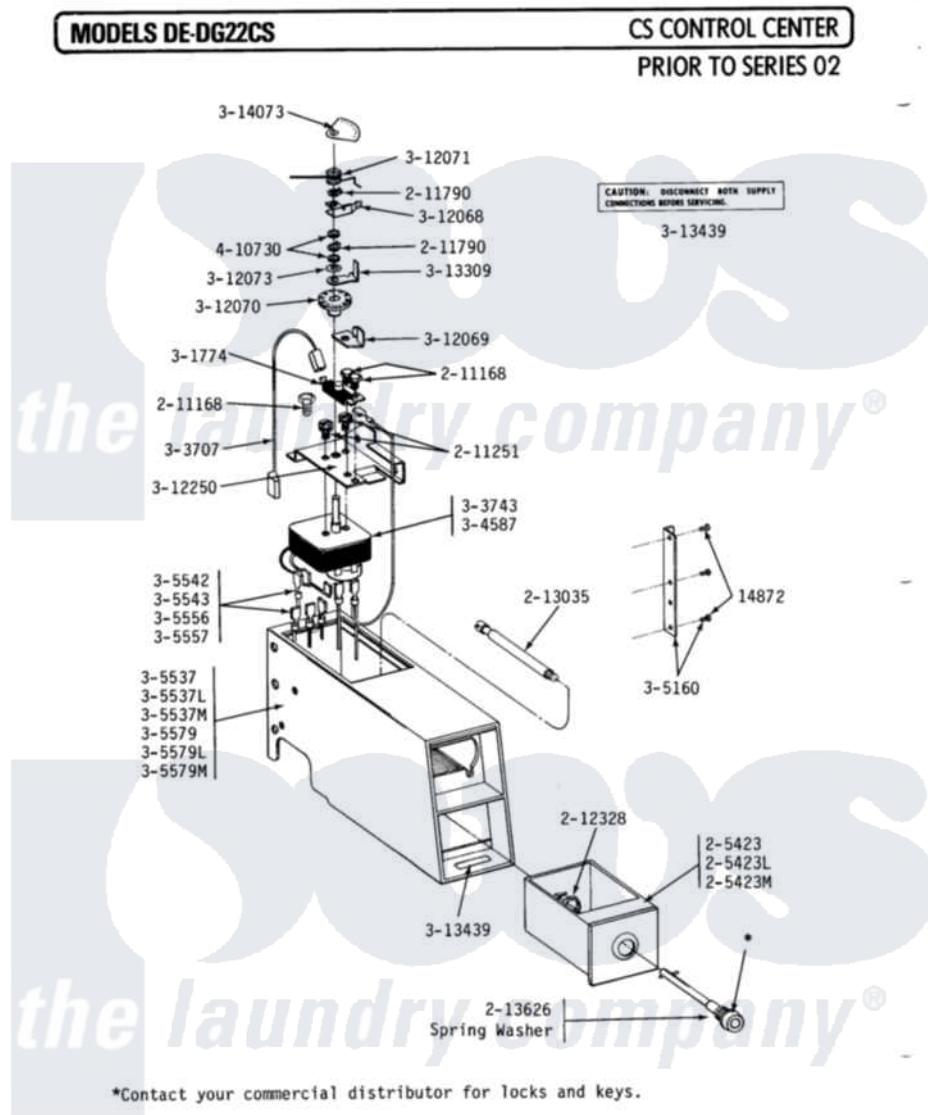


Maytag LDE22CS 05 - CONTROL CENTER (SERIES 00)



Maytag [Residential Maytag LDE22CS Dryer Parts](#) Parts Diagram 05 - CONTROL CENTER (SERIES 00)
 Click on the part number to view part

Item	Original Part Number	Replaced By	Status	Part Description
001	Y014872			Screw, Coin Meter Stop -
002	205423	208883		Coin Box K
"	205423L	208883		Coin Box K
003	211168	W10139210		Screw, 8-18 X 5/16
004	211251			Screw, Transformer
005	211790			Lock Ring For Timer Shaft
006	212328	W10139762		Hex Nut, 3/4-27
007	213035			Bolt, Locking
008	NLA		Not Available	SPRING WASHER FOR LOCK
009	Y301774			Switch For Coin Slide
010	Y303707			Wire Assembly
011	Y303743			Timer
012	NLA		Not Available	TIMER MOTOR
013	NLA		Not Available	COIN METER STOP WITH SCREWS
014	305537		Not Available	OUTER CASE-WHITE

"	NLA	Not Available	OUTER CASE-ALMOND
015	NLA	Not Available	WIRE HARNESS-LOWER
016	NLA	Not Available	WIRE HARNESS-UPPER
017	NLA	Not Available	CONTROL CENTER-WHITE
018	Y312068		Return Lever
019	Y312069		Stop For Actuator
020	NLA	Not Available	RATCHET FOR TIMER
021	Y312071		Return Spring For Actuator
022	312073		Spring Washer
023	312250		Timer Support Bracket
024	Y313309		Timer Actuator Lever
025	Y313439	Not Available	INSTRUCTION LABEL
026	314073		Time Indicator Gage
027	410730		Washer

