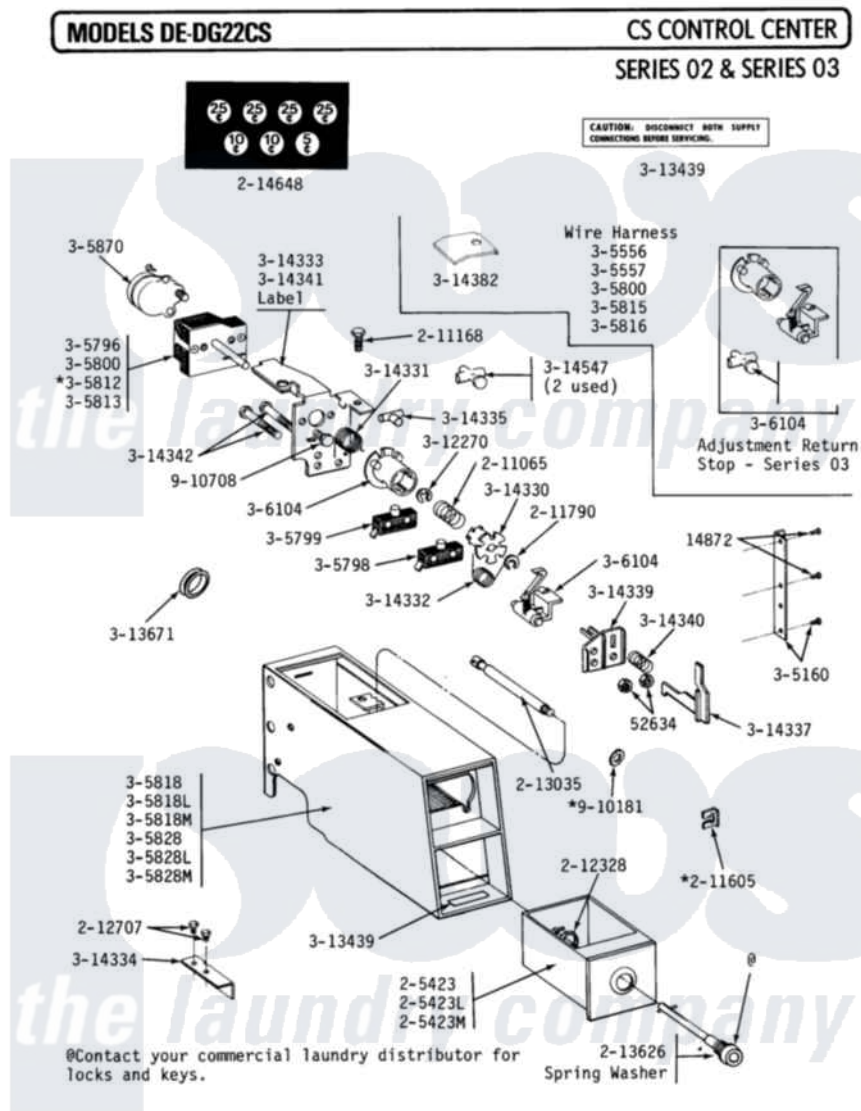


Maytag LDE22CS 06 - CONTROL CENTER (SERIES 02 & SERIES 03)



Maytag [Residential Maytag LDE22CS Dryer Parts](#) Parts Diagram 06 - CONTROL CENTER (SERIES 02 & SERIES 03)
Click on the part number to view part

| Item | Original Part Number | Replaced By | Status | Part Description |
|------|-------------------------|---------------------------|---------------|-----------------------------|
| 001 | Y014872 | | | Screw, Coin Meter Stop - |
| 002 | Y052634 | 701719 | | Nut, Hex |
| 003 | 205423 | 208883 | | Coin Box K |
| " | 205423L | 208883 | | Coin Box K |
| 004 | 211065 | | | Spring, Index Wheel |
| 005 | 211168 | W10139210 | | Screw, 8-18 X 5/16 |
| 006 | 211605 | | | Bezel, Timer Dial |
| 007 | 211790 | | | Lock Ring For Timer Shaft |
| 008 | 212328 | W10139762 | | Hex Nut, 3/4-27 |
| 009 | 212707 | 3196385 | | Screw |
| 010 | 213035 | | | Bolt, Locking |
| 011 | NLA | | Not Available | SPRING WASHER FOR LOCK |
| 012 | 214648 | | | Decal, Coinage |
| 013 | NLA | | Not Available | COIN METER STOP WITH SCREWS |
| 014 | 305796 | | | Timer |

| | | | |
|-----|-------------------------|--------------------------|---|
| 015 | 305798 | Not Available | BYPASS SWITCH FOR MOTOR |
| 016 | Y305799 | | Bypass Switch For Heater |
| 017 | 305800 | | Wire Harness For Timer |
| 018 | 305812 | | Timer |
| 019 | 305813 | | Part Not Available Part Not Used |
| 020 | 305815 | | Wire Harness - Lower |
| 021 | NLA | Not Available | WIRE HARNESS-UPPER |
| 022 | NLA | Not Available | OUTER CASE (WHT) |
| 023 | NLA | Not Available | CONTROL CENTER-WHITE |
| 024 | 305870 | | Timer Motor |
| 025 | 306104 | | Actuator Switch Kit |
| 026 | Y312270 | | Clip, Spring Retainer |
| 027 | Y313439 | Not Available | INSTRUCTION LABEL |
| 028 | Y313671 | 33001303 | Grommet, Plate Hole |
| 029 | 314330 | Not Available | DRIVER FOR INDEX WHEEL (NOT INCLUDED W/KIT) |
| 030 | 314331 | | Spring, Torsion Return |
| 031 | 314332 | | Spring, Actuator |
| 032 | 314333 | | Timer Mounting Bracket |
| 033 | 314334 | | Bracket For Coin Slide |
| 034 | 314335 | | Peg, Tine Adjustment |
| 035 | 314337 | 33002968 | Slider |
| 036 | 314339 | | Switch And Slider Bracket |
| 037 | NLA | Not Available | HELICAL SPRING ---N |
| 038 | NLA | Not Available | INSTRUCTION LABEL |
| 039 | NLA | Not Available | SCREW |
| 040 | NLA | Not Available | STOP FOR TIMER MECHANISM |
| 041 | 314547 | Y308109 | Slide And Adj. Return Bracket |
| 042 | 910181 | | Lockwasher, Terminal Block |
| 043 | 910708 | 488234 | Screw 8-32 X 1/4 |

