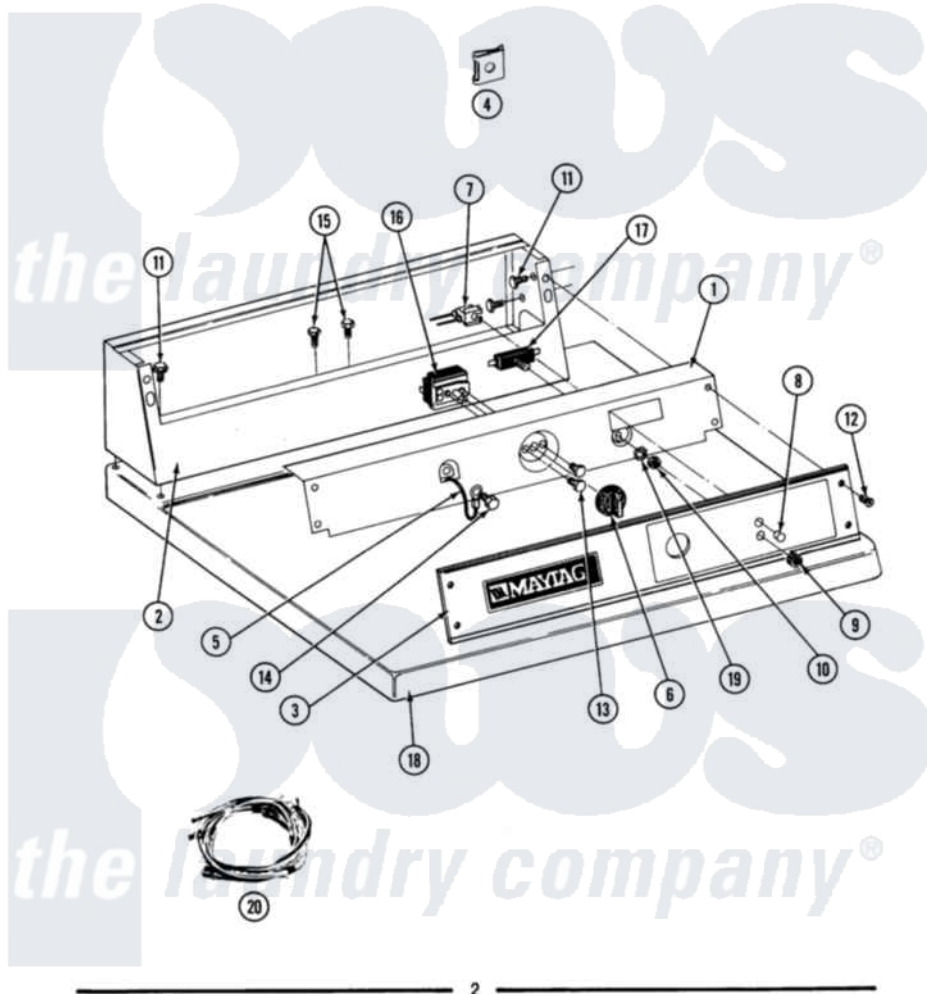


# Maytag LDE26CS 01 - CONTROL PANEL

MODEL DE-DG26CS CS CONTROL PANEL



2

Maytag Residential Maytag LDE26CS Dryer Parts Parts Diagram 01 - CONTROL PANEL  
 Click on the part number to view part

| Item | Original Part Number    | Replaced By               | Status        | Part Description             |
|------|-------------------------|---------------------------|---------------|------------------------------|
| 001  | 314912                  |                           | Not Available | BRACKET, CONTROL PANEL (WHT) |
| "    | NLA                     |                           | Not Available | (ALM)                        |
| 002  | NLA                     |                           | Not Available | CONTROL COVER (WHT)          |
| 003  | NLA                     |                           | Not Available | CONTROL PANEL                |
| 004  | <a href="#">215003</a>  |                           |               | Fastener, Panel And Bracket  |
| 005  | <a href="#">205810</a>  |                           |               | Wire, Ground                 |
| 006  | <a href="#">306938</a>  |                           |               | Knob, Selector Switch        |
| 007  | 204075                  |                           | Not Available | PILOT LAMP (DG MODELS ONLY)  |
| "    | Y305396                 |                           | Not Available | LAMP, INDICATOR              |
| 008  | <a href="#">215564</a>  |                           |               | Lens, Indicator Light        |
| 009  | <a href="#">Y312702</a> |                           |               | Knurled Nut, Start Switch    |
| 010  | Y312706                 | <a href="#">422617</a>    |               | Nut                          |
| 011  | 212276                  | <a href="#">W10116760</a> |               | Screw                        |
| "    | 212276                  | <a href="#">W10116760</a> |               | Screw                        |
| 012  | <a href="#">212277</a>  |                           |               | Screw, No.8 X 1/2 Inch       |

|     |                        |                           |   |
|-----|------------------------|---------------------------|---|
| 013 | Y313588                | <a href="#">488234</a>    | Screw 8-32 X 1/4                        |
| 014 | <a href="#">211252</a> |                           | Screw, Ground Wire                      |
| 015 | 211294                 | <a href="#">90767</a>     | Screw, 8A X 3/8 HeX Washer Head Tapping |
| "   | Y314322                | <a href="#">211251</a>    | Screw, Transformer                      |
| 016 | 307237                 | <a href="#">W10327105</a> | Switch, Cycle Selection                 |
| 017 | 306940                 | <a href="#">W10149462</a> | Switch, Push-To-Start                   |
| 018 | 307105                 | Not Available             | COVER, TOP ASSY. (WHT)                  |
| "   | NLA                    | Not Available             | (ALM)                                   |
| 019 | <a href="#">312751</a> |                           | Lockwasher, Start Switch                |
| 020 | <a href="#">307280</a> |                           | Harness, Wire                           |
| "   | NLA                    | Not Available             | MAIN WIRE HARNESS                       |

**Howes**  
the laundry company®

**Howes**  
the laundry company®

**Howes**  
the laundry company®