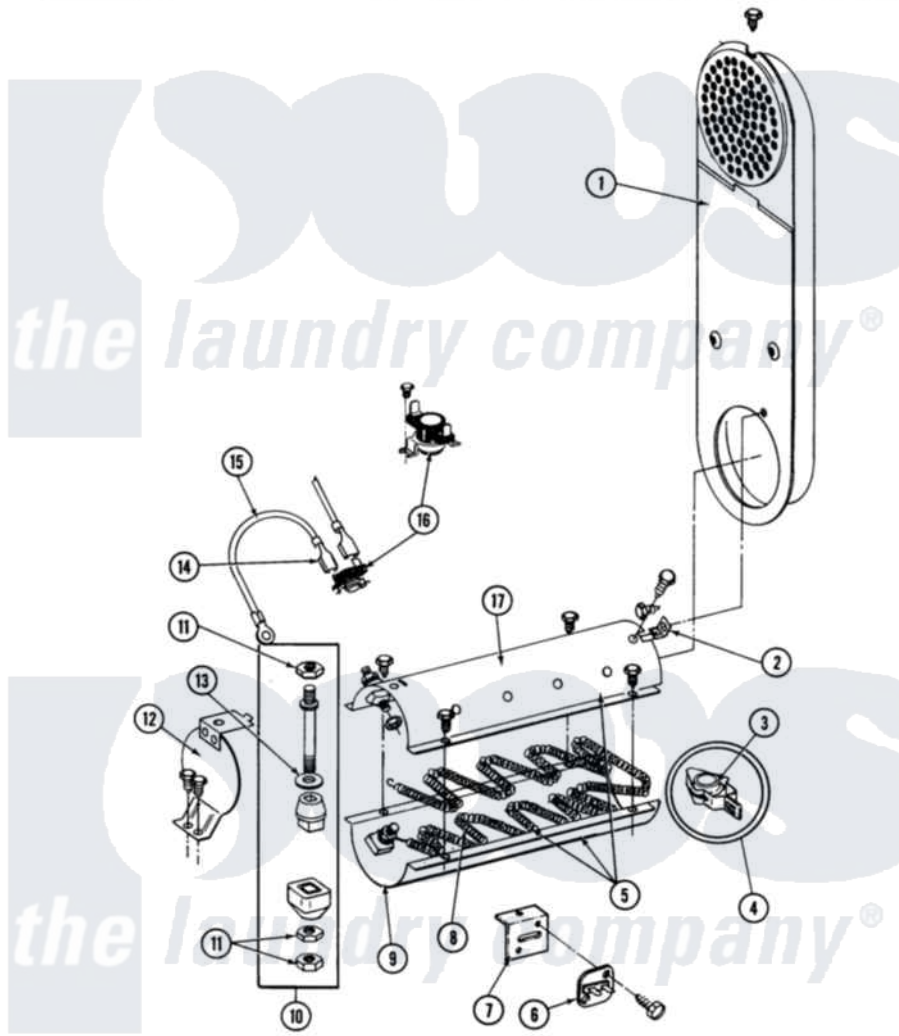


# Maytag LDE27CT 02 - INLET DUCT & HEATER ASSEMBLY

SECTION: INLET DUCT & HEATER ASSEMBLY  
 MODEL: DE MODELS



Issue Date: 10/90

32

Maytag [Residential Maytag LDE27CT Dryer Parts](#) Parts Diagram 02 - INLET DUCT & HEATER ASSEMBLY  
 Click on the part number to view part

Item	Original Part Number	Replaced By	Status	Part Description
001	211294	<a href="#">90767</a>		Screw, 8A X 3/8 HeX Washer Head Tapping
"	NLA		Not Available	INLET DUCT ASSY.
002	211294	<a href="#">90767</a>		Screw, 8A X 3/8 HeX Washer Head Tapping
"	<a href="#">Y312890</a>			Retainer, Heater Chamber
003	<a href="#">Y313270</a>			Insulator For Heater Elemen
004	<a href="#">Y303881</a>			Clip And Insulator Assembly
005	211294	<a href="#">90767</a>		Screw, 8A X 3/8 HeX Washer Head Tapping
"	307470	<a href="#">Y303778</a>		Heater Assembly Complete
"	<a href="#">307471</a>			Heater Assembly Complete
006	<a href="#">307473</a>			Fuse, Thermal
"	NLA		Not Available	SCREW
007	211294	<a href="#">90767</a>		Screw, 8A X 3/8 HeX Washer Head Tapping
"	315046			MOUNTING BRACKET
008	Y304837	<a href="#">W10116793</a>		Element

"	<a href="#">Y313537</a>		Heater Element 240 Volt
009	<a href="#">Y313576</a>		Heater Chamber, Bottom
010	<a href="#">Y304596</a>		Terminal Insulator Assembly
011	311484	<a href="#">112432</a>	Nut
012	211294	<a href="#">90767</a>	Screw, 8A X 3/8 HeX Washer Head Tapping
"	304124	Not Available	HEATER SHIELD
013	<a href="#">311093</a>		Washer, Terminal Connection
014	<a href="#">210745</a>		Wire Terminal
015	<a href="#">Y304693</a>		Jumper Wire
016	211294	<a href="#">90767</a>	Screw, 8A X 3/8 HeX Washer Head Tapping
"	<a href="#">303396</a>		Thermostat, Hi-Limit
"	<a href="#">303896</a>		Hi-Limit Thermostat-Canada
017	211294	<a href="#">90767</a>	Screw, 8A X 3/8 HeX Washer Head Tapping
"	Y313575	Not Available	HEATER CHAMBER, TOP

