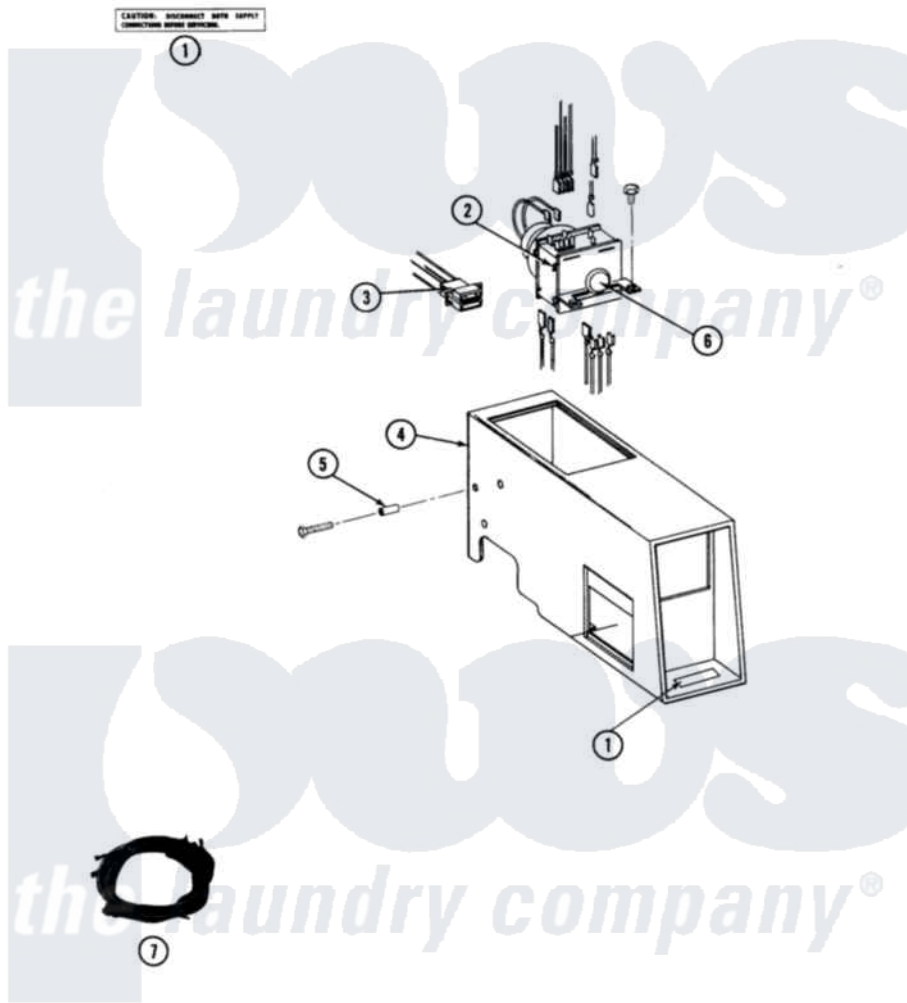


# Maytag LDE27CT 10 - CONTROL CENTER

SECTION: CT CONTROL CENTER  
 MODEL: DE-D627CT



Issue Date: 10/90

22

Maytag [Residential Maytag LDE27CT Dryer Parts](#) Parts Diagram 10 - CONTROL CENTER  
 Click on the part number to view part

Item	Original Part Number	Replaced By	Status	Part Description
001	Y313439		Not Available	INSTRUCTION LABEL
002	212276	<a href="#">W10116760</a>		Screw
"	<a href="#">307142</a>			Timer With Knob And Pin
"	NLA		Not Available	TIMER MOTOR
003	NLA		Not Available	HARNES FOR TICKET CONTROL
004	NLA		Not Available	OUTER CASE-WHITE
005	NLA		Not Available	SPACER FOR VAULT
"	Y310842	<a href="#">8182296</a>		Screw, Agitator
006	<a href="#">213089</a>			Knob For Timer
"	<a href="#">Y312300</a>			Groov-Pin
007	NLA		Not Available	WIRE HARNES