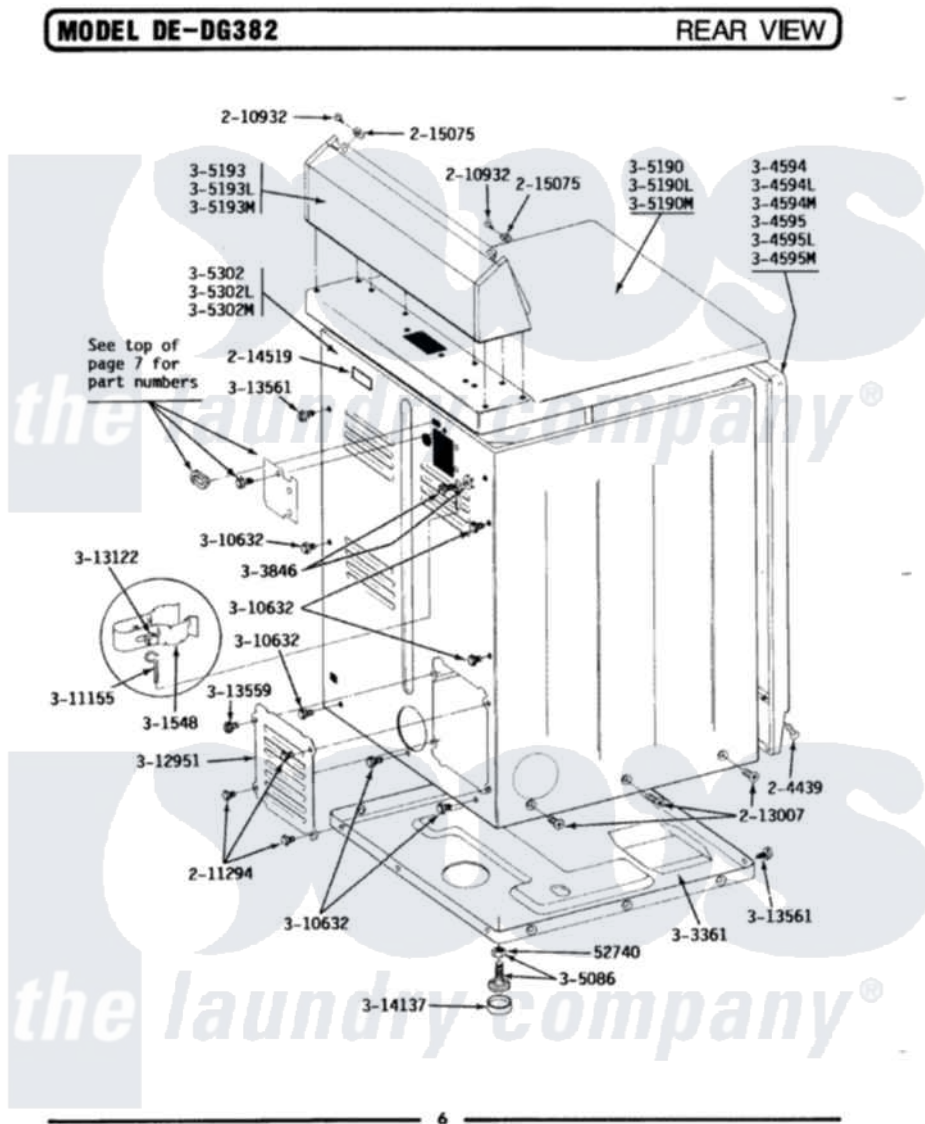


# Maytag LDE382 08 - REAR VIEW



Maytag [Residential Maytag LDE382 Dryer Parts](#) Parts Diagram 08 - REAR VIEW  
 Click on the part number to view part

Item	Original Part Number	Replaced By	Status	Part Description
1	Y052740	<a href="#">62739</a>		Nut, Lock
2	<a href="#">Y201808</a>			Converter
3	<a href="#">204439</a>			Screw And Fstner Assembly
4	<a href="#">210932</a>			Screw, No.8 X 9/16 Ctsk Note: Screw, Inlet Duct
5	211294	<a href="#">90767</a>		Screw, 8A X 3/8 HeX Washer Head Tapping
6	<a href="#">211881</a>			Grommet, Cord Part Not Used- Gas Models Only
7	<a href="#">213007</a>			Xfor Cabinet See Cabinet, Back
8	214519			LABEL, ELECTRICAL INSTR. PART NOT USED-GAS MODELS ONLY
9	<a href="#">215075</a>			Fastener, Control Panel To Console
10	<a href="#">301548</a>			Clamp, Ground Wire
11	302521		Not Available	CORD, POWER PART NOT USED-GAS MODELS ONLY

12	Y303361		Not Available	BASE ASSY. (UPPER & LOWER)
13	303846	<a href="#">22003781</a>		Screw, Ground Strap
14	Y304122		Not Available	POWER CORD-5 FT, 3 WIRE
16	304595L		Not Available	FRONT PANEL-ALMOND
18	<a href="#">Y305086</a>			Adjustable Leg And Nut
20	305190L	<a href="#">307104L</a>		Top Cover Assembly
23	<a href="#">305193L</a>			Console
26	305302L		Not Available	CABINET-ALMOND
28	Y310632	<a href="#">1163839</a>		Screw
29	<a href="#">311155</a>			Ground Wire And Clamp
30	<a href="#">Y311270</a>			Washer, Terminal Block
31	Y311423	<a href="#">489483</a>		Screw 10-32 X 1/2
32	311484	<a href="#">112432</a>		Nut
33	<a href="#">Y312184</a>			Strap, Grounding
34	Y312209	<a href="#">W10001200</a>		Screw
35	<a href="#">Y312904</a>			Bracket, Terminal Block
36	Y312905		Not Available	COVER, TERMINAL
37	Y312951		Not Available	ACCESS COVER, BACK
38	<a href="#">313122</a>			Screw - Baffle To Tumbler
39	<a href="#">Y313559</a>			Screw
40	<a href="#">Y313561</a>			Screw---NA
41	<a href="#">Y314137</a>			Foot, Rubber
42	<a href="#">400008</a>			Block, Terminal

