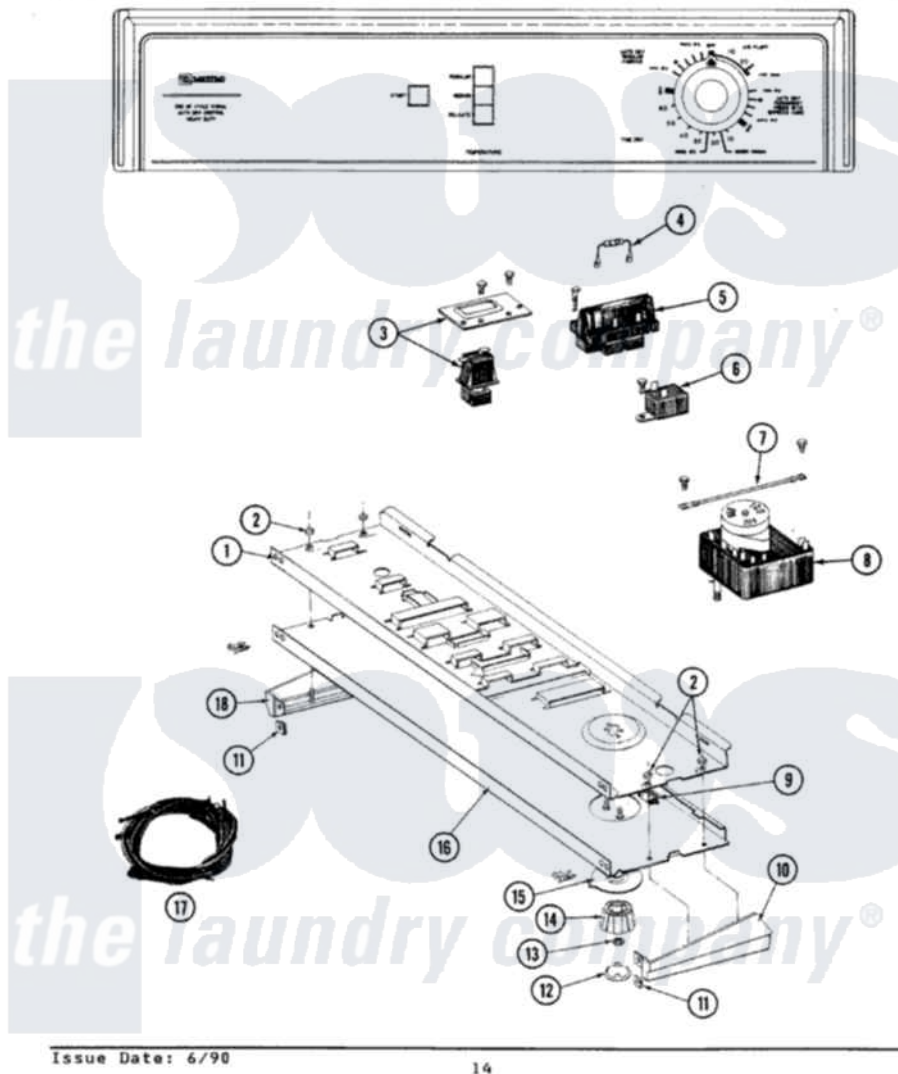


Maytag LDE7800 01 - CONTROL PANEL

SECTION: CONTROL PANEL
 MODEL: DE-D67800



Issue Date: 6/98

14

Maytag [Residential Maytag LDE7800 Dryer Parts](#) Parts Diagram 01 - CONTROL PANEL

[Click on the part number to view part](#)

Item	Original Part Number	Replaced By	Status	Part Description
1	314184			Back Up Plate
2	214872			Nut, End Cap Note: Nut, Lamp Holder
3	211168	W10139210		Screw, 8-18 X 5/16
"	307305			Switch Push To Start
4	306916			Resistor, Med Temp Elec
5	213117	67006908		Screw, Ice Rack
"	307304		Not Available	TEMP CONTROL SWITCH 3 BUTTON
6	305205	694419		Mini-Buzzer
"	211168	W10139210		Screw, 8-18 X 5/16
7	211294	90767		Screw, 8A X 3/8 HeX Washer Head Tapping
"	204807			Ground Wire, Supp. Plte To Top Cover
8	306040			Timer
"	910708	488234		Screw 8-32 X 1/4
9	214897			Pad, Control Panel

10	210932		Screw, No.8 X 9/16 Ctsk Note: Screw, Inlet Duct
"	207216	Not Available	END CAP RH
11	214894		Fastener, End Cap
12	215821	Not Available	CAP, KNOB
13	312273		Nut, Control Knob
14	315041		Knob, Timer
15	315042		Dial Skirt
16	307319	Not Available	CONTROL PANEL
17	307251		Wire Harness
"	307344		Wire Harness
18	207215	Not Available	END CAP LH

