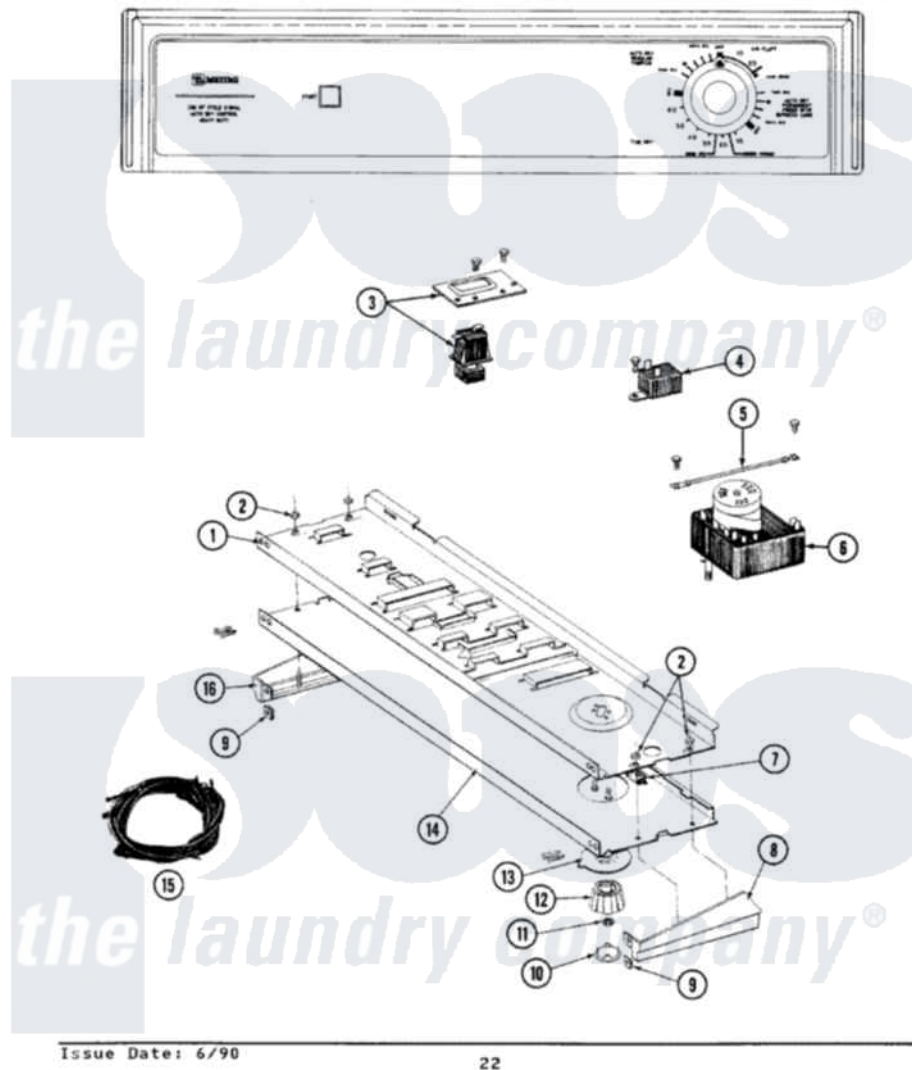


Maytag LDE8410 01 - CONTROL PANEL

SECTION: CONTROL PANEL
MODEL: DE-DG8410



Maytag [Residential Maytag LDE8410 Dryer Parts](#) Parts Diagram 01 - CONTROL PANEL
Click on the part number to view part

| Item | Original Part Number | Replaced By | Status | Part Description |
|------|------------------------|---------------------------|---------------|---|
| 1 | 314184 | | | Back Up Plate |
| 2 | 214872 | | | Palnut, End Cap Note: Nut, Lamp Holder |
| 3 | 211168 | W10139210 | | Screw, 8-18 X 5/16 |
| " | 307305 | | | Switch Push To Start |
| 4 | 305205 | 694419 | | Mini-Buzzer |
| " | 211168 | W10139210 | | Screw, 8-18 X 5/16 |
| 5 | 211294 | 90767 | | Screw, 8A X 3/8 HeX Washer Head Tapping |
| " | 204807 | | | Ground Wire, Supp. Plte To Top Cover |
| 6 | 306040 | | | Timer |
| " | 910708 | 488234 | | Screw 8-32 X 1/4 |
| 7 | 214897 | | | Pad, Control Panel |
| 8 | 210932 | | | Screw, No.8 X 9/16 Ctsk Note: Screw, Inlet Duct |
| " | 207216 | | Not Available | END CAP RH |
| 9 | 214894 | | | Fastener, End Cap |

| | | | |
|----|------------------------|---------------|--|
| 10 | 215821 | Not Available | CAP, KNOB |
| 11 | 312273 | | Nut, Control Knob |
| 12 | 315041 | | Knob, Timer |
| 13 | 315042 | | Dial Skirt |
| 14 | 307951 | Not Available | CONTROL PANEL |
| " | 210932 | | Screw, No.8 X 9/16 Ctsk Note: Screw, Inlet Duct |
| 15 | 307945 | Not Available | WIRE HARNESS |
| " | 307946 | Not Available | WIRE HARNESS |
| 16 | 207215 | Not Available | END CAP LH |

