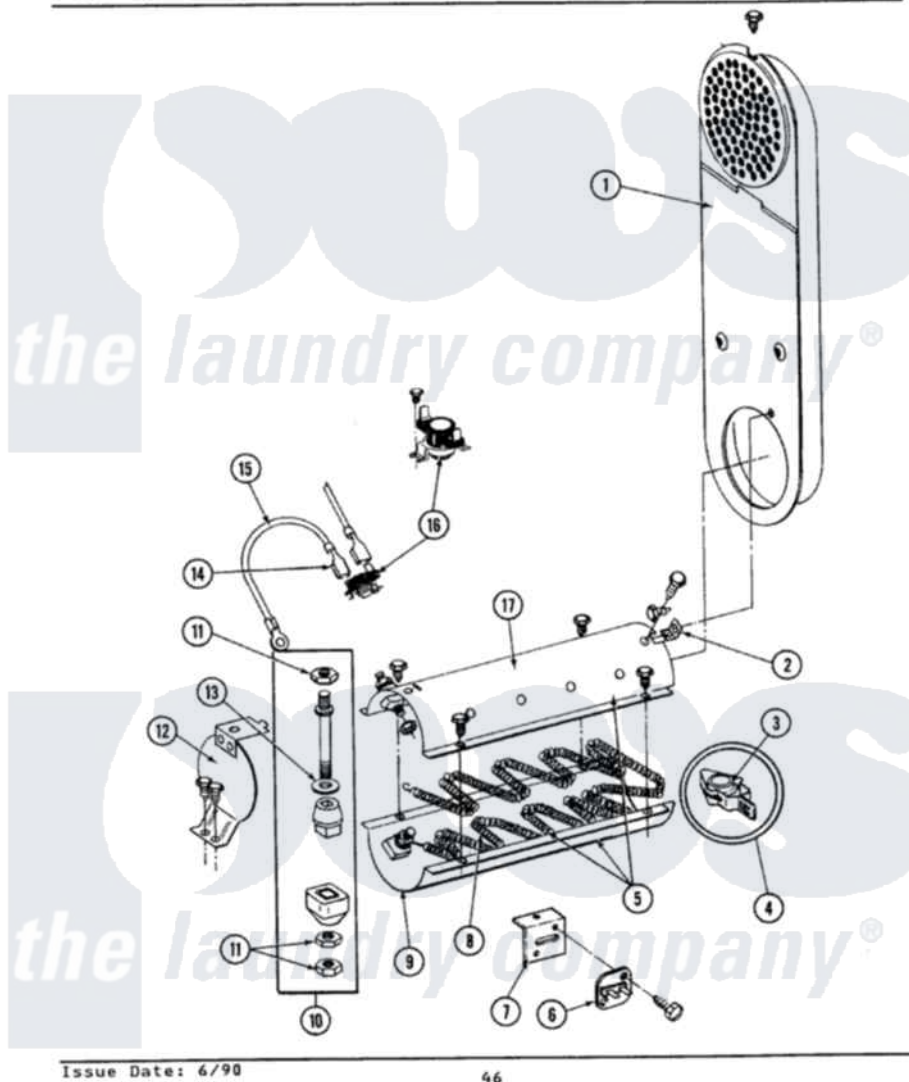


Maytag LDE8410 04 - INLET DUCT & HEATER ASSEMBLY

SECTION: INLET DUCT & HEATER ASSEMBLY
 MODEL: DE MODELS



Issue Date: 6/90

46

Maytag [Residential Maytag LDE8410 Dryer Parts](#) Parts Diagram 04 - INLET DUCT & HEATER ASSEMBLY
 Click on the part number to view part

| Item | Original Part Number | Replaced By | Status | Part Description |
|------|-------------------------|---------------------------|---------------|---|
| 1 | 211294 | 90767 | | Screw, 8A X 3/8 HeX Washer Head Tapping |
| " | 307120 | | Not Available | INLET DUCT ASSY. |
| 2 | 211294 | 90767 | | Screw, 8A X 3/8 HeX Washer Head Tapping |
| " | Y312890 | | | Retainer, Heater Chamber |
| 3 | Y313270 | | | Insulator For Heater Elemen |
| 4 | Y303881 | | | Clip And Insulator Assembly |
| 5 | 211294 | 90767 | | Screw, 8A X 3/8 HeX Washer Head Tapping |
| " | Y303778 | | | Heater Assembly Complete |
| 6 | 307473 | | | Fuse, Thermal |
| " | 314848 | W10116760 | | Screw |
| 7 | 315046 | | | MOUNTING BRACKET |
| " | 211294 | 90767 | | Screw, 8A X 3/8 HeX Washer Head Tapping |
| 8 | Y313538 | | | Heater Element 240 Volt |
| 9 | Y313576 | | | Heater Chamber, Bottom |

| | | | |
|----|-------------------------|------------------------|---|
| 10 | Y304596 | | Terminal Insulator Assembly |
| 11 | 311484 | 112432 | Nut |
| 12 | 211294 | 90767 | Screw, 8A X 3/8 HeX Washer Head Tapping |
| " | 304124 | | Not Available HEATER SHIELD |
| 13 | 311093 | | Washer, Terminal Connection |
| 14 | 210745 | | Wire Terminal |
| 15 | Y304693 | | Jumper Wire |
| 16 | 303396 | | Thermostat, Hi-Limit |
| " | 211294 | 90767 | Screw, 8A X 3/8 HeX Washer Head Tapping |
| " | 303896 | | Hi-Limit Thermostat-Canada |
| 17 | 211294 | 90767 | Screw, 8A X 3/8 HeX Washer Head Tapping |
| " | Y313575 | | Not Available HEATER CHAMBER, TOP |

