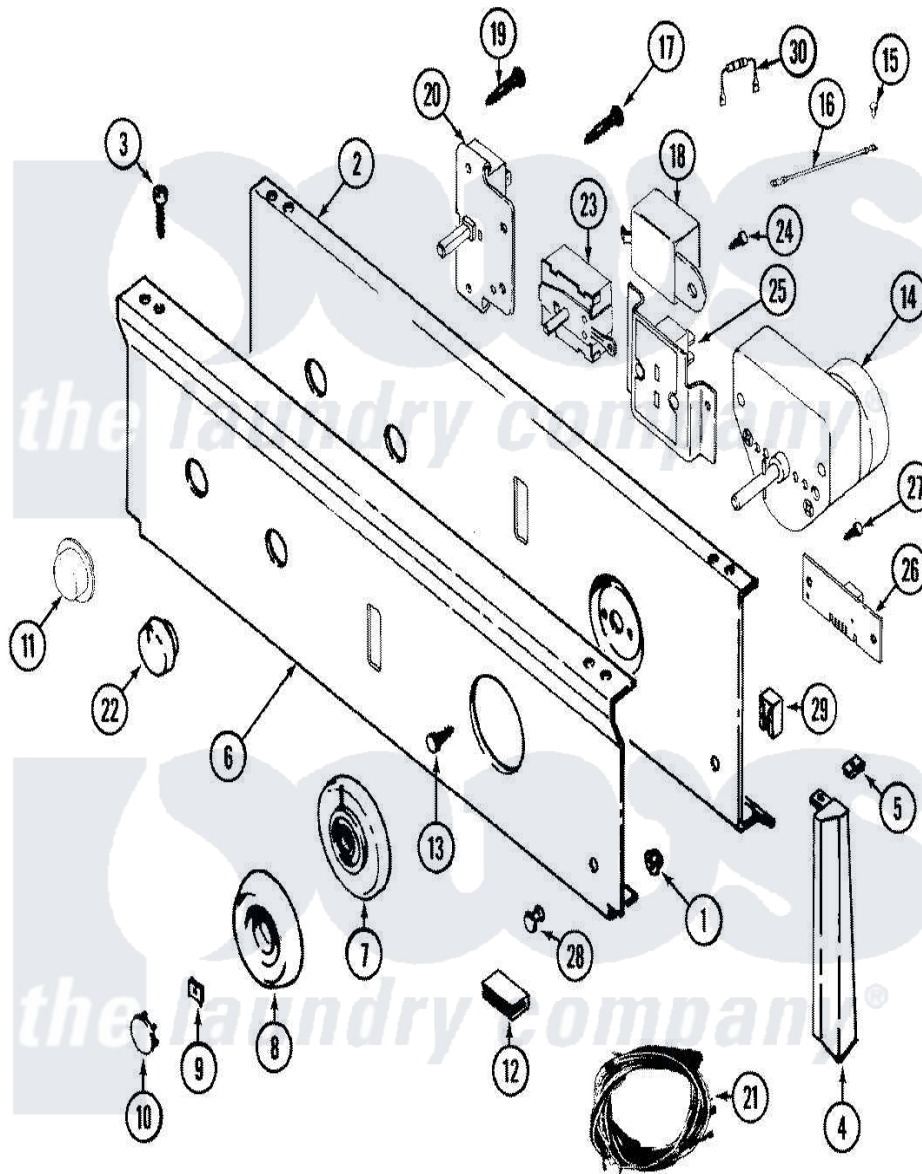


Maytag LDE9314ACL 03 - CONTROL PANEL



Maytag Residential Maytag LDE9314ACL Dryer Parts Parts Diagram 03 - CONTROL PANEL
 Click on the part number to view part

Item	Original Part Number	Replaced By	Status	Part Description
1	214872			Palnut, End Cap Note: Nut, Lamp Holder
2	33001237		Not Available	PLATE, SUPPORT
3	314728	210932		Screw, No.8 X 9/16 Ctsk Note: Screw, Inlet Duct
4	22001288			End Cap, Control Panel
"	22001290			End Cap, Control Panel
5	214894			Fastener, End Cap
6	33001097			Panel, Control
7	33001182		Not Available	SKIRT, TIMER DIAL (BLK)
8	315041			Knob, Timer
9	312273			Nut, Control Knob
10	216193		Not Available	CAP, TIMER KNOB (BLK)
11	33001184			Button
12	214897			Pad, Control Panel
13	315317	488234		Screw 8-32 X 1/4
14	33001036			Timer

15	210186	3370225		Screw
16	204807			Ground Wire, Supp. Plte To Top Cover
17	315317	488234		Screw 8-32 X 1/4
18	Y308205	33001623		Buzzer, Non-Adjustable
19	315317	488234		Screw 8-32 X 1/4
20	33001232		Not Available	SWITCH, PUSH TO START
21	33001345		Not Available	WIRE HARNESS, MAIN
"	33001144		Not Available	WIRE HARNESS, MAIN
22	22001267			Knob, Selector Switch
23	33001229		Not Available	SWITCH, ROTARY (3 POSITION)
24	315317	488234		Screw 8-32 X 1/4
25	33001046			Display, Dryness Assembly
26	33001212			Board, Control-Moisture Sensor
27	315317	488234		Screw 8-32 X 1/4
28	22001215	7730P011-60		Lens, Indicator Light
29	33001224			Light, Indicator
30	33001102			Resistor

