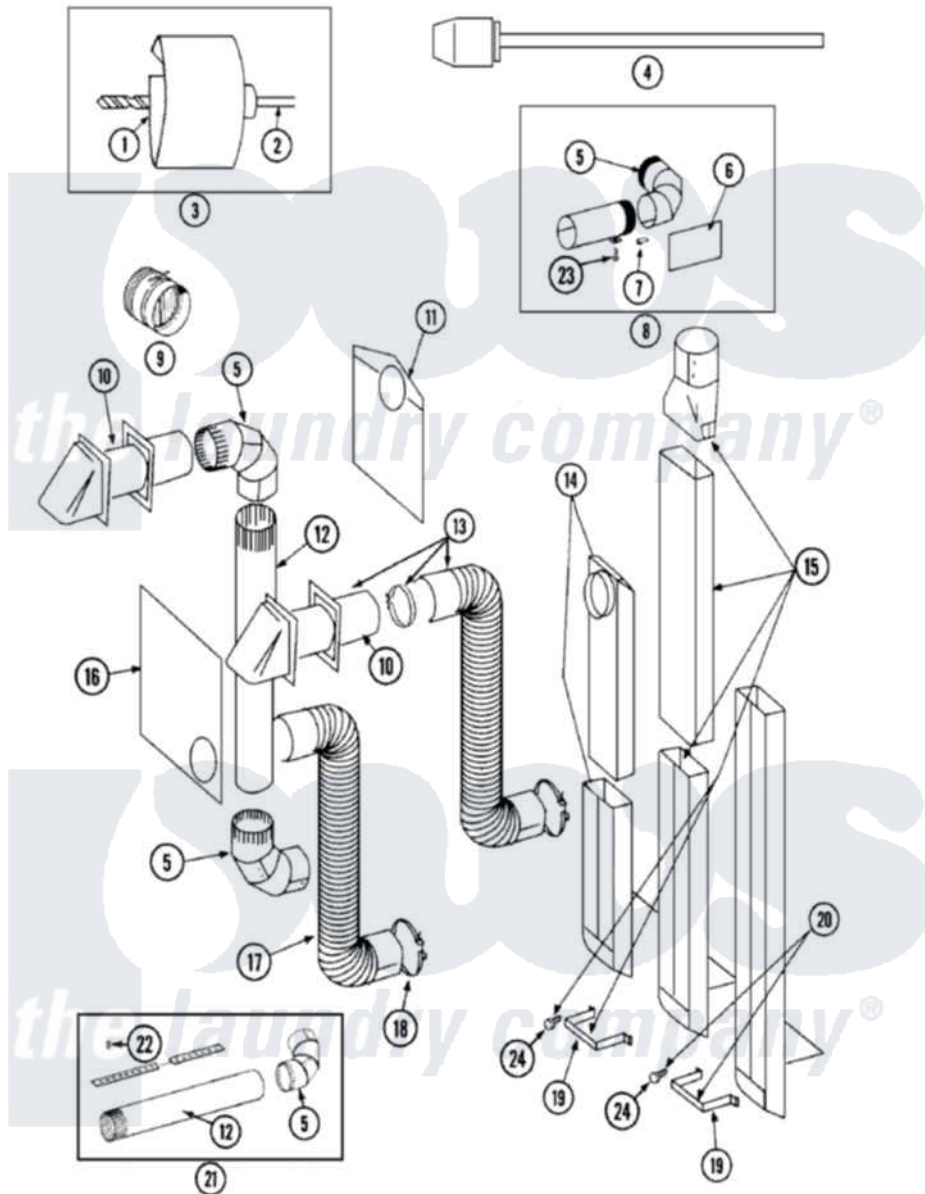


Maytag LDE9606ADM 05 - DUCTING



Maytag Residential Maytag LDE9606ADM Dryer Parts Parts Diagram 05 - DUCTING
 Click on the part number to view part

| Item | Original Part Number | Replaced By | Status | Part Description |
|------|-------------------------|---------------------------|---------------|---------------------------------|
| 1 | 038179 | | Not Available | BLADE, SAW |
| 2 | 038180 | | Not Available | REPLACEMENT DRILL |
| 3 | 038766 | | Not Available | HOLE SAW W/DRILL BIT |
| 4 | 038767 | | | Extension Chuck, Drill |
| 5 | Y059131 | | | Elbow, Venting |
| 6 | 312302 | | | Insulation, Exhaust Duct Kit |
| 7 | 213323 | | | Fastener, Exhaust Duct Kit |
| 8 | Y304652 | | | Exhaust Duct Kit |
| 9 | 059146 | | Not Available | DAMPER, BACK DRAFT |
| 10 | Y059129 | 4396007RW | | Vent Hood |
| 11 | 311353 | | Not Available | BAG, LINT (DACRON) |
| 12 | Y059130 | | | Pipe, Venting |
| 13 | Y059143 | | | Flexible Vent Kit |
| 14 | Y059135 | | | Vent Duct Assembly |
| 15 | 059144 | | Not Available | RECTANGULAR VENT KIT |
| 16 | Y059134 | | | PLATE, ALUM. WINDOW (15``X20``) |

| | | | |
|----|-------------------------|---------------------------|---|
| 17 | Y304353 | 4396010RP | 6ft Scvent |
| 18 | Y304630 | | Clamp, Flexible Duct |
| 19 | 313272 | | Bracket, Exhaust Deflector |
| 20 | 303736 | Not Available | EXHAUST DEFLECTOR KIT |
| 21 | 306399 | Not Available | EXHAUST DEFLECTOR KIT |
| 22 | Y251119 | 3177991 | Screw |
| 23 | 211294 | 90767 | Screw, 8A X 3/8 HeX Washer Head Tapping |
| 24 | 211294 | 90767 | Screw, 8A X 3/8 HeX Washer Head Tapping |

