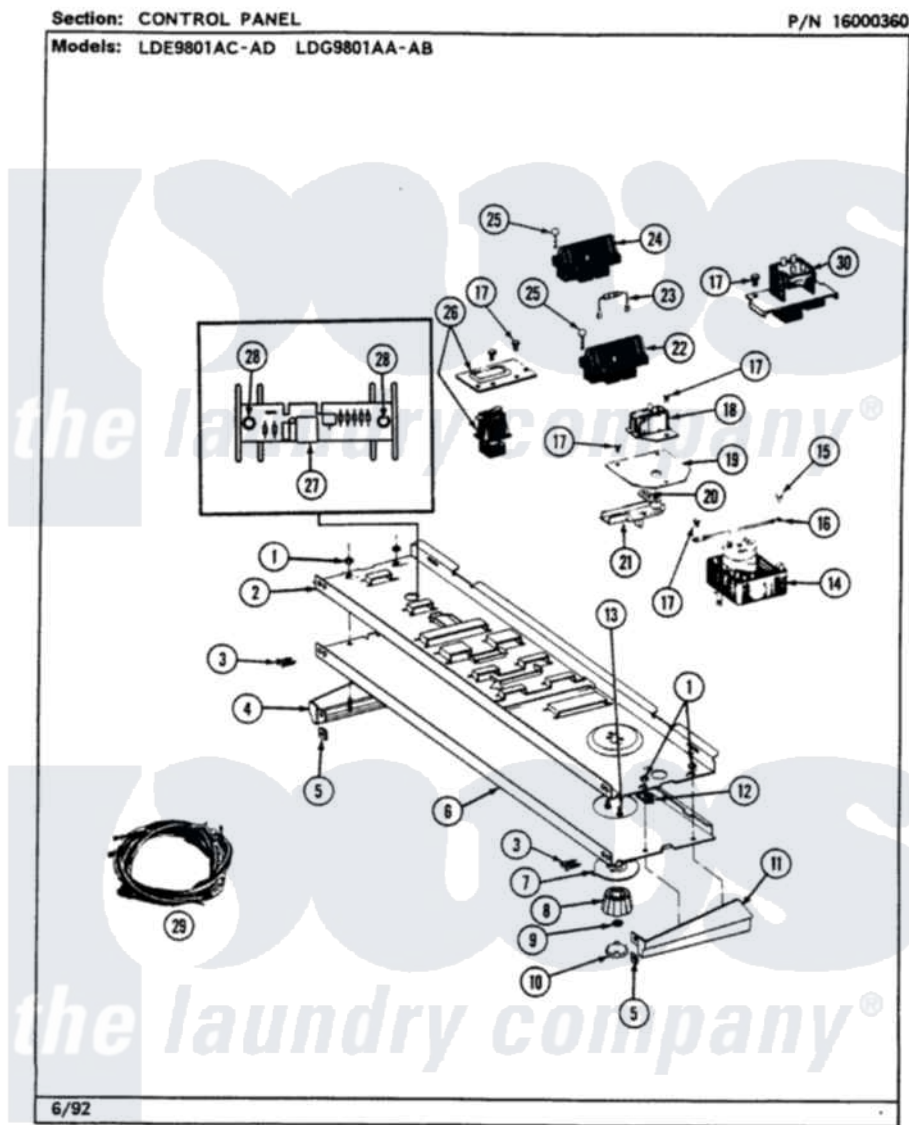


Maytag LDE9801ACL 03 - CONTROL PANEL



4

Maytag Residential Maytag LDE9801ACL Dryer Parts Parts Diagram 03 - CONTROL PANEL
 Click on the part number to view part

Item	Original Part Number	Replaced By	Status	Part Description
1	214872			Palnut, End Cap Note: Nut, Lamp Holder
2	314184			Back Up Plate
3	210932			Screw, No.8 X 9/16 Ctsk Note: Screw, Inlet Duct
4	207215		Not Available	END CAP LH
5	214894			Fastener, End Cap
6	308073			Control Panel
7	315042			Dial Skirt
8	315041			Knob, Timer
9	312273			Nut, Control Knob
10	215821		Not Available	CAP, KNOB
11	207216		Not Available	END CAP RH
12	214897			Pad, Control Panel
13	315317	488234		Screw 8-32 X 1/4
14	Y308188			Timer
15	211204	00767		Screw, 8A X 3/8 HeX Washer

15	211294	30707		Head Tapping
16	204807			Ground Wire, Supp. Plte To Top Cover
17	211168	W10139210		Screw, 8-18 X 5/16
18	Y305204		Not Available	BUZZER - ADJUSTABLE
19	314169	313610		Hndle-Door
20	314171		Not Available	PIVOT ARM FOR BUZZER
21	307364		Not Available	SLIDE ASSY
22	307304		Not Available	TEMP CONTROL SWITCH 3 BUTTON
23	306916			Resistor, Med Temp Elec
24	307304		Not Available	TEMP CONTROL SWITCH 3 BUTTON
25	213117	67006908		Screw, Ice Rack
26	307305			Switch Push To Start
27	Y308110	33001212		Board, Control-Moisture Sensor
28	Y251119	3177991		Screw
29	308187			Wire Harness
30	307310			Press Care Switch

