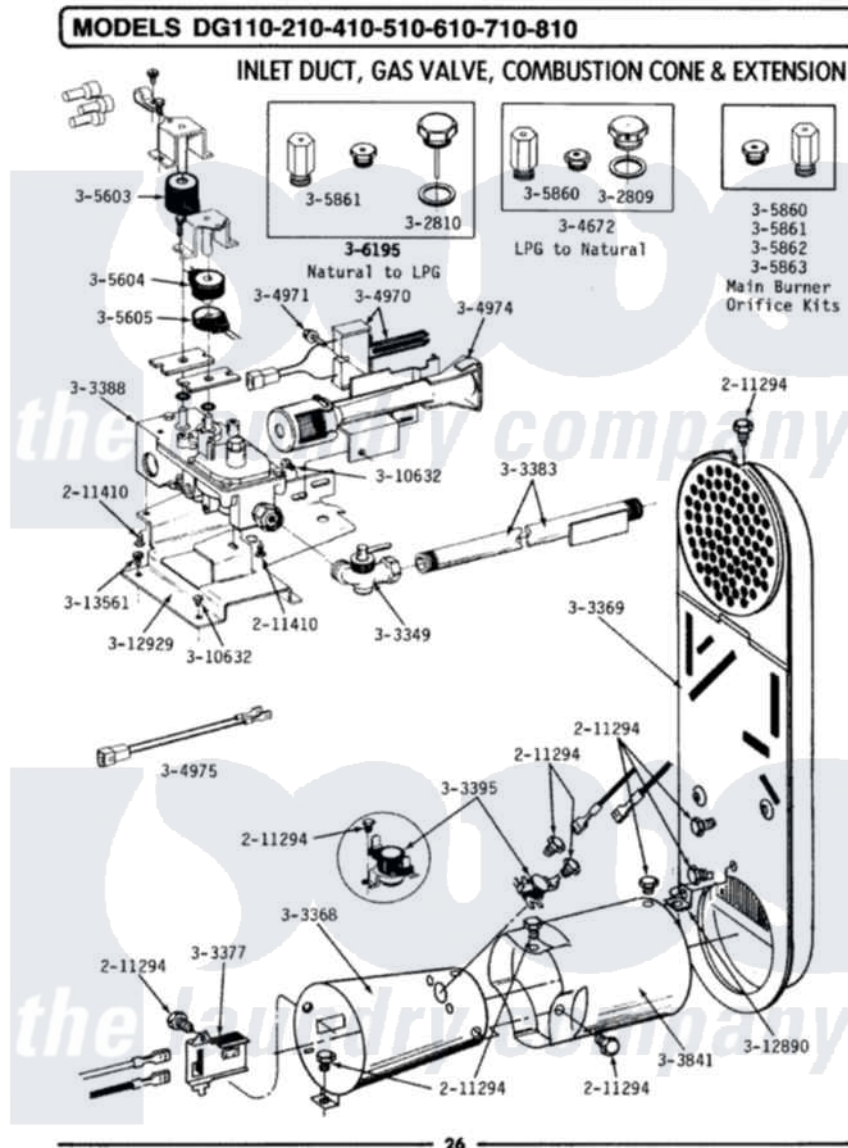


Maytag LDG110 04 - INLET DUCT, GAS VALVE, CONE & EXTENSION



Maytag Residential Maytag LDG110 Dryer Parts Parts Diagram 04 - INLET DUCT, GAS VALVE, CONE & EXTENSION
 Click on the part number to view part

Item	Original Part Number	Replaced By	Status	Part Description
1	211294	90767		Screw, 8A X 3/8 HeX Washer Head Tapping
2	211410			Screw, HeX Head No.8 X 3/8 Inch
3	302809			Screw Assembly - Leak Limit
4	302810			Screw Assembly - Blue Block Ope
5	Y303349			Angle Shut-Off, Gas Valve
6	Y303368			Cone, Combustion
7	Y303369			Inlet Duct Assembly
8	Y303377	338906		Radiant, Sensor
9	Y303383	33001735		Pipe And Bracket Assembly Series 18 Not Needed Use Vavle
10	W10116794			Gas Valve
11	303395			Thermostat, Hi-Limit
12	Y306195	MAL9000AXX		LP Gas Con
13	Y303841			Cone, Extension

14	Y304672		Conversion Kit-LPG To Nat.
15	304970	4391996	Ignitor
16	304971		Screw Note: Screw, Igniter
17	304974	33002793	Burner Assembly
18	304975		Gas Valve Harness
19	305603		Secondary Coil
20	305604		Holding Coil
21	305605		Booster Coil
22	305860	Not Available	MAIN BURNER ORIFICE KIT-NAT
23	305861	Not Available	MAIN BURNER ORIFICE KIT-LPG
24	305862	Not Available	MAIN BURNER ORIFICE KIT-MIX
25	305863	0305863	Harness Ignition WI
26	Y310632	1163839	Screw
27	Y312890		Retainer, Heater Chamber
28	312929		Gas Valve Bracket
29	Y313561		Screw---NA

