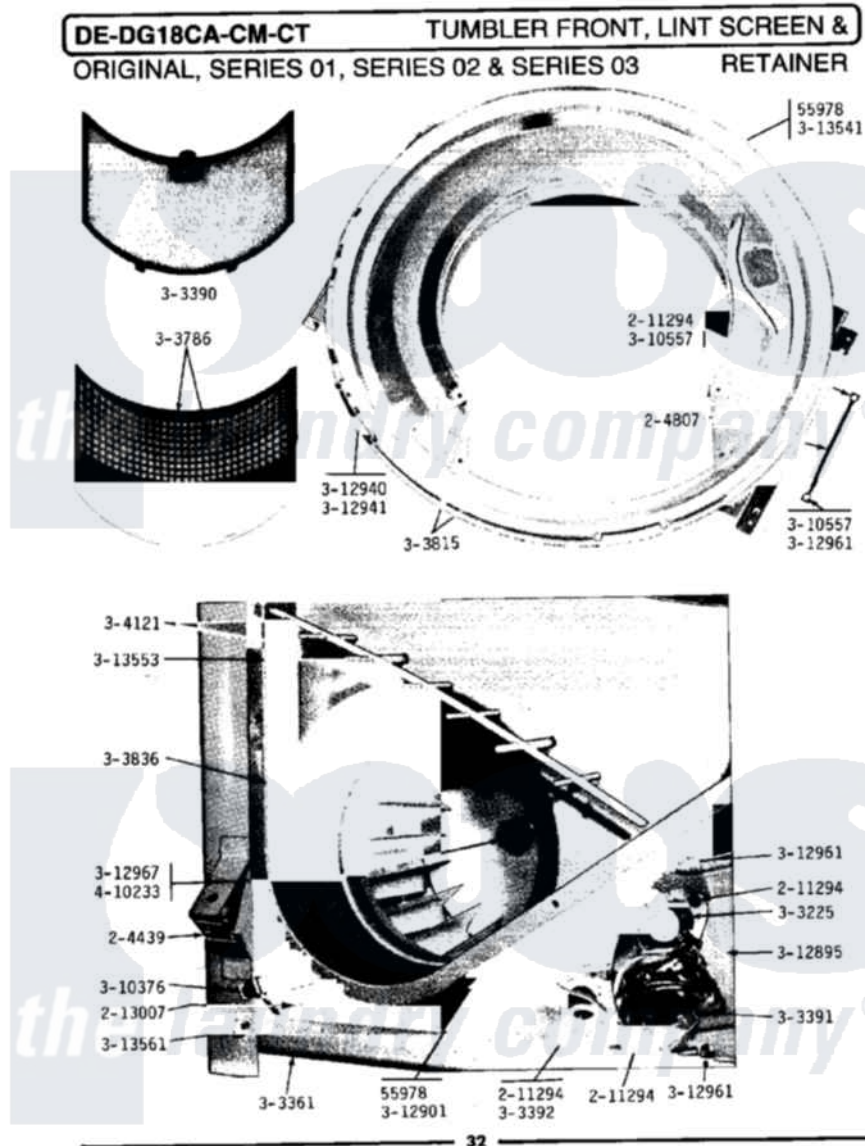


# Maytag LDG18CM 11 - TUMBLER FRONT, LINT SCREEN & RETAINER



Maytag Residential Maytag LDG18CM Dryer Parts Parts Diagram 11 - TUMBLER FRONT, LINT SCREEN & RETAINER  
 Click on the part number to view part

Item	Original Part Number	Replaced By	Status	Part Description
001	<a href="#">Y055978</a>			Rubber Adhesive, 2 Oz Tube
002	<a href="#">204439</a>			Screw And Fstner Assembly
003	<a href="#">204807</a>			Ground Wire, Supp. Plte To Top Cover
004	<a href="#">210720</a>			Rivet, Bearing To Tumbler Frmt
005	211294	<a href="#">90767</a>		Screw, 8A X 3/8 HeX Washer Head Tapping
006	<a href="#">213007</a>			Xfor Cabinet See Cabinet, Back
007	<a href="#">Y303225</a>			Thermostat, Permanent Press
008	Y303361		Not Available	BASE ASSY. (UPPER & LOWER)
009	Y303390		Not Available	LINT SCREEN
010	Y303391	<a href="#">33303391</a>		Thermostat, Cycling
011	<a href="#">303392</a>			Thermostat, Cycling
012	Y303786		Not Available	LINT SCREEN WITH RETAINER
013	Y303815	<a href="#">33001231</a>		Front- Tumbler

014	<a href="#">Y303836</a>		Blower Wheel Assembly And Clamp
015	NLA	Not Available	OUTLET GRID AND DUCT
016	Y304810	Not Available	OUTLET DUCT ASSEMBLY---S
017	<a href="#">Y310376</a>		Clip, Door Switch Harness
018	<a href="#">310557</a>		Washer
019	Y312895	Not Available	COVER FOR BLOWER---NA
020	<a href="#">Y312901</a>		Seal, Housing Cover
021	312940	<a href="#">306508</a>	Tumbler Bearing Kit ---W
022	312941	<a href="#">306508</a>	Tumbler Bearing Kit ---W
023	Y312961	<a href="#">W10116751</a>	Screw
024	Y312964	Not Available	OUTLET DUCT - OUTER HALF
025	<a href="#">312967</a>		Clamp, Blower Housing
026	Y313541	<a href="#">33313541</a>	Seal- Tumbler
027	NLA	Not Available	GRID FOR OUTLET DUCT
028	<a href="#">Y313561</a>		Screw---NA
029	<a href="#">Y313795</a>		Guide For Lint Screen
030	<a href="#">Y313796</a>		Lint Seal
031	410233	<a href="#">9703438</a>	Ring-Retrn

