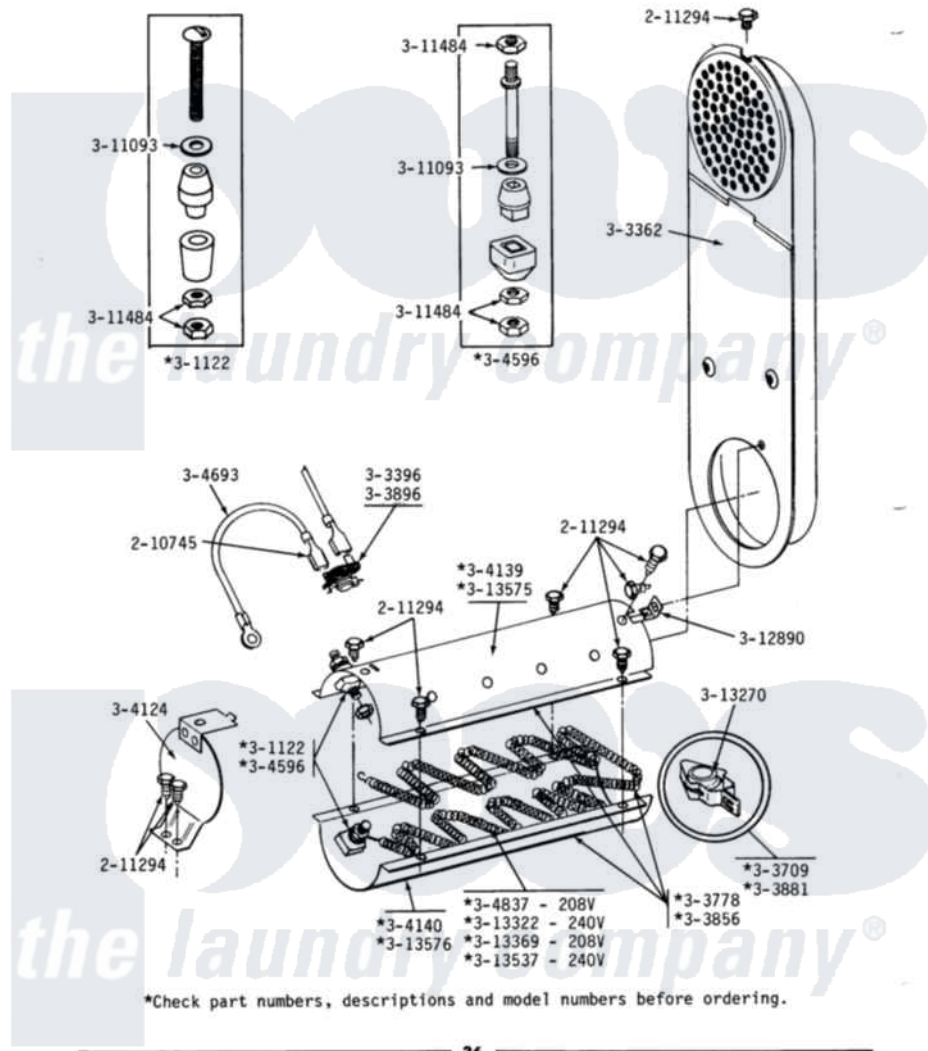


Maytag LDG18CS 08 - INLET DUCT & HEATER ASSEMBLY

DE18CA-CM-CS-CT INLET DUCT & HEATER ASSEMBLY



Maytag Residential Maytag LDG18CS Dryer Parts Parts Diagram 08 - INLET DUCT & HEATER ASSEMBLY
 Click on the part number to view part

Item	Original Part Number	Replaced By	Status	Part Description
001	210745			Wire Terminal
002	211294	90767		Screw, 8A X 3/8 HeX Washer Head Tapping
003	301122	Y304596		Terminal Insulator Assembly
004	Y303362			Inlet Duct Assembly - DE
005	303396			Thermostat, Hi-Limit
006	303709			Clip And Insulator Assembly
007	Y303778			Heater Assembly Complete
008	Y303856		Not Available	HEATER ASSY. COMPLETE (208V)
009	Y303881			Clip And Insulator Assembly
010	303896			Hi-Limit Thermostat-Canada
011	304124		Not Available	HEATER SHIELD
014	Y304596			Terminal Insulator Assembly
015	Y304693			Jumper Wire
016	Y304837	W10116793		Element
018	311093			Washer, Terminal Connection

019 311484

[112432](#)

Nut

020 [Y312890](#)

Retainer, Heater Chamber

021 [Y313270](#)

Insulator For Heater Elemen

