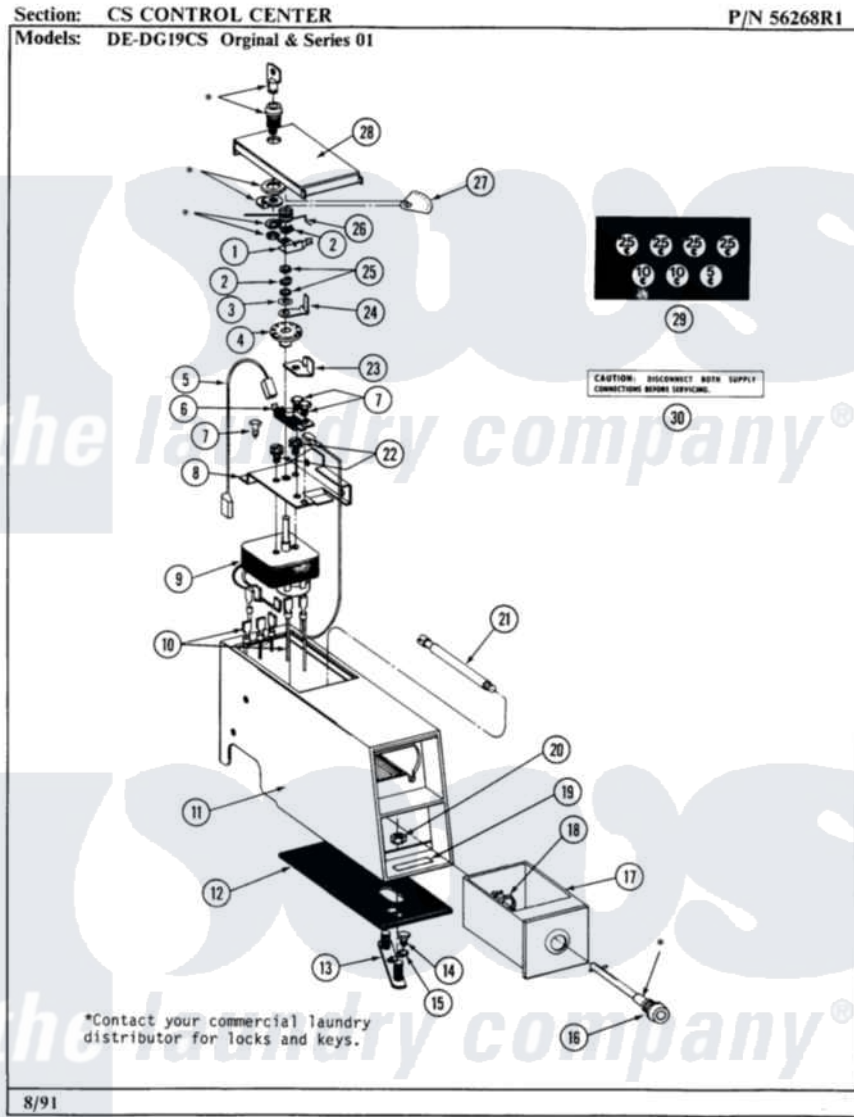


# Maytag LDG19CS 06 - CONTROL CENTER



12

Maytag [Residential Maytag LDG19CS Dryer Parts](#) Parts Diagram 06 - CONTROL CENTER  
 Click on the part number to view part

Item	Original Part Number	Replaced By	Status	Part Description
001	<a href="#">Y312068</a>			Return Lever
002	<a href="#">211790</a>			Lock Ring For Timer Shaft
003	<a href="#">312073</a>			Spring Washer
004	NLA		Not Available	RATCHET, TIMER
005	<a href="#">Y303707</a>			Wire Assembly
006	<a href="#">Y301774</a>			Switch For Coin Slide
007	211168	<a href="#">W10139210</a>		Screw, 8-18 X 5/16
008	<a href="#">312250</a>			Timer Support Bracket
009	NLA		Not Available	TIMER MOTOR
"	<a href="#">Y303743</a>			Timer
010	NLA		Not Available	MAIN WIRE HARNESS
011	305395			OUTER CASE-WHITE----NA
"	NLA		Not Available	(ALM)
012	<a href="#">214660</a>			Gasket, Control Center
013	NLA		Not Available	MTG. STRAP----NA
014	211294	<a href="#">90767</a>		Screw, 8A X 3/8 HeX Washer Head Tapping

015	<a href="#">910309</a>		Washer, Mounting Strap
016	NLA	Not Available	SPRING WASHER, LOCK
017	205423	<a href="#">208883</a>	Coin Box K
"	205423L	<a href="#">208883</a>	Coin Box K
"	205423M	<a href="#">208883</a>	Coin Box K
018	212328	<a href="#">W10139762</a>	Hex Nut, 3/4-27
019	Y313439	Not Available	INSTRUCTION LABEL
020	Y052740	<a href="#">62739</a>	Nut, Lock
021	<a href="#">213035</a>		Bolt, Locking
022	<a href="#">211251</a>		Screw, Transformer
023	<a href="#">Y312069</a>		Stop For Actuator
024	<a href="#">Y313309</a>		Timer Actuator Lever
025	<a href="#">410730</a>		Washer
026	<a href="#">Y312071</a>		Return Spring For Actuator
027	<a href="#">314073</a>		Time Indicator Gage
028	203188	Not Available	TIMER ACCESS DOOR (WHT)
"	203188L	Not Available	ACCESS DOOR-ALMOND
"	203188M	Not Available	ACCESS DOOR-HARVEST WHEAT
029	<a href="#">214648</a>		Decal, Coinage
030	Y313439	Not Available	INSTRUCTION LABEL

