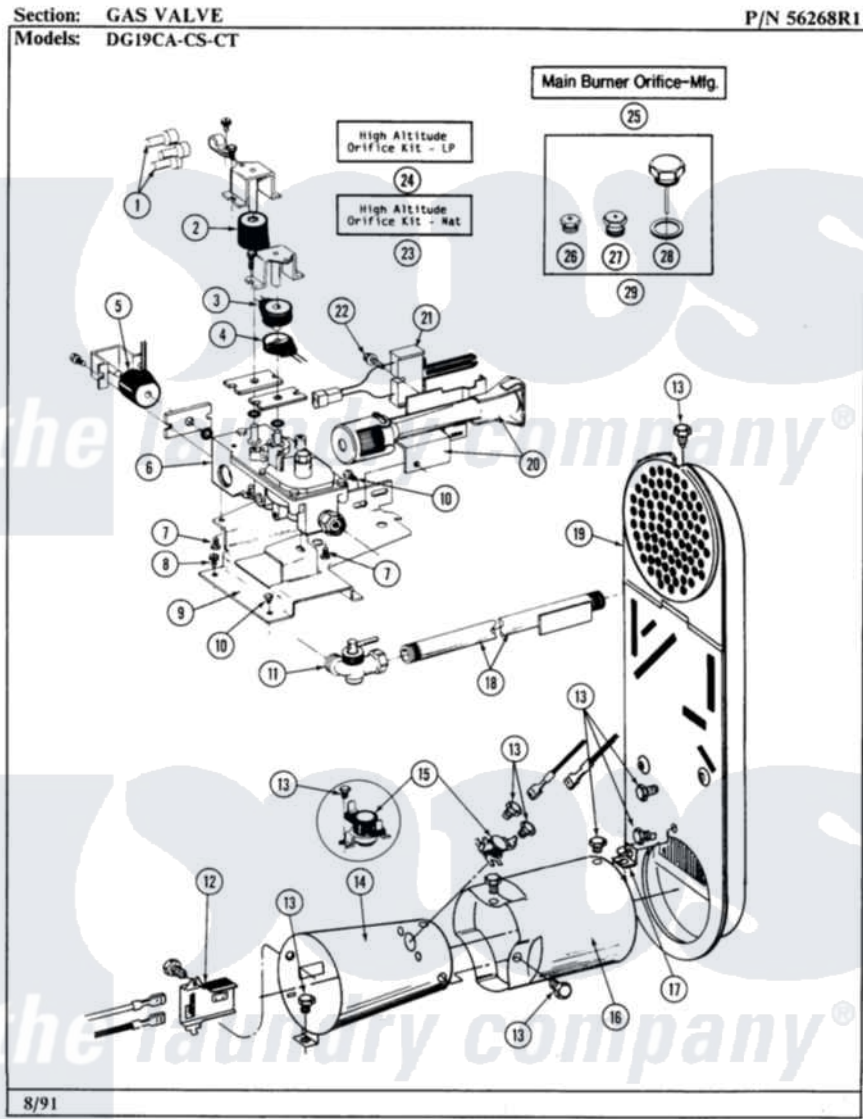


# Maytag LDG19CS 10 - GAS VALVE



30

Maytag Residential Maytag LDG19CS Dryer Parts Parts Diagram 10 - GAS VALVE

Click on the part number to view part

Item	Original Part Number	Replaced By	Status	Part Description
001	311546	<a href="#">911445</a>		Wire Connector
002	<a href="#">305603</a>			Secondary Coil
003	<a href="#">305604</a>			Holding Coil
004	<a href="#">305605</a>			Booster Coil
005	<a href="#">Y304626</a>			Side Coil
006	Y303777	<a href="#">W10116794</a>		Gas Valve
007	NLA		Not Available	SCREW, HEX HD No.8 X 3/8 INCH
008	<a href="#">Y313561</a>			Screw---NA
009	<a href="#">312929</a>			Gas Valve Bracket
010	Y310632	<a href="#">1163839</a>		Screw
011	<a href="#">Y303349</a>			Angle Shut-Off, Gas Valve
012	Y303377	<a href="#">338906</a>		Radiant, Sensor
013	211294	<a href="#">90767</a>		Screw, 8A X 3/8 HeX Washer Head Tapping
014	<a href="#">Y303368</a>			Cone, Combustion
015	<a href="#">305169</a>			Thermostat, Hi-Limit Gas

016	<a href="#">Y303841</a>		Cone, Extension
017	<a href="#">Y312890</a>		Retainer, Heater Chamber
018	Y303383	<a href="#">33001735</a>	Pipe And Bracket Assembly Series 18 Not Needed Use Vavle
019	211294	<a href="#">90767</a>	Screw, 8A X 3/8 HeX Washer Head Tapping
"	<a href="#">Y303369</a>		Inlet Duct Assembly
020	304974	<a href="#">33002793</a>	Burner Assembly
"	Y310632	<a href="#">1163839</a>	Screw
021	304970	<a href="#">4391996</a>	Ignitor
022	<a href="#">304971</a>		Screw Note: Screw, Igniter
023	NLA	Not Available	ORIFICE KIT, LP (HIGH ALT.)
024	NLA	Not Available	ORIFICE KIT, NAT (HIGH ALT.)
025	NLA	Not Available	MAIN BURNER ORIFICE (MFG)
026	NLA	Not Available	MAIN BURNER ORIFICE - LPG
027	NLA	Not Available	INTERNAL ORIFICE - LPG
028	NLA	Not Available	SCREW ASSM - BLUE BLOCK OPE
029	<a href="#">Y303779</a>		Conversion Kit

