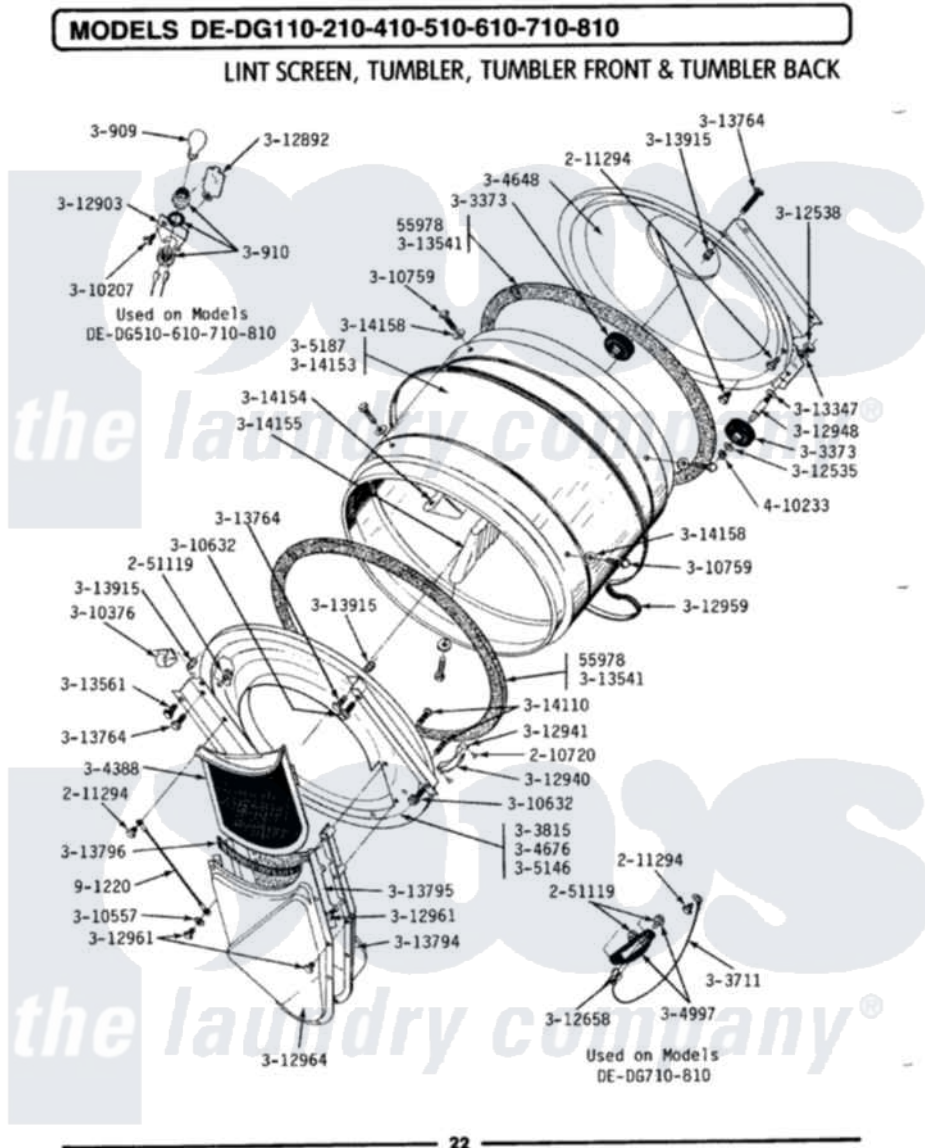


Maytag LDG210 08 - LINT SCREEN, TUMBLER (FRONT & BACK)



Maytag Residential Maytag LDG210 Dryer Parts Parts Diagram 08 - LINT SCREEN, TUMBLER (FRONT & BACK)
 Click on the part number to view part

| Item | Original Part Number | Replaced By | Status | Part Description |
|------|-------------------------|--------------------------|---------------|---|
| 1 | Y055978 | | | Rubber Adhesive, 2 Oz Tube |
| 2 | 210720 | | | Rivet, Bearing To Tumbler Frnt |
| 3 | 211294 | 90767 | | Screw, 8A X 3/8 HeX Washer Head Tapping |
| 4 | Y251119 | 3177991 | | Screw |
| 5 | 300909 | 8009 | | Bulb-Light |
| 6 | 300910 | | Not Available | RECEPTACLE |
| 7 | Y303373 | 12001541 | | Drum Roller/Washer Assembly--W |
| 8 | Y303711 | | | Sensor Ground Wire |
| 9 | Y303815 | 33001231 | | Front- Tumbler |
| 10 | Y304388 | 33001003 | | Screen, Lint |
| 11 | Y304648 | 33001106 | | Back, Tumbler |
| 12 | Y304676 | | Not Available | TUMBLER FRONT ASSEMBLY |
| 13 | 304997 | | | Sensor Assembly With Screws |
| 14 | Y305146 | 306708 | | Tumbler Front Assembly |

| | | | | |
|----|-------------------------|---------------------------|---------------|--------------------------------|
| 15 | 305187 | | Not Available | TUMBLER W/BAFFLES |
| 16 | 310207 | | | Screw, No.6 X 1/4 Inch |
| 17 | Y310376 | | | Clip, Door Switch Harness |
| 18 | 310557 | | | Washer |
| 19 | Y310632 | 1163839 | | Screw |
| 20 | Y310759 | | | Screw, Tumbler Baffles |
| 21 | 312535 | | | Washer, Vault Mounting Brk. |
| 22 | 312538 | 33001443 | | Nut, Hex |
| 23 | Y312658 | | | Receptacle, Sensor Ground Wire |
| 24 | Y312892 | 33312892 | | Lens |
| 25 | 312903 | | Not Available | LAMP BRACKET |
| 26 | 312940 | 306508 | | Tumbler Bearing Kit ----W |
| 27 | 312941 | 306508 | | Tumbler Bearing Kit ----W |
| 28 | Y312948 | 6-3129480 | | Shaft- Tumbler |
| 29 | Y312959 | | | Poly "V" Belt For Tumbler |
| 30 | Y312961 | W10116751 | | Screw |
| 31 | Y312964 | | Not Available | OUTLET DUCT - OUTER HALF |
| 32 | Y313347 | 312535 | | Washer, Vault Mounting Brk. |
| 33 | Y313541 | 33313541 | | Seal- Tumbler |
| 34 | Y313561 | | | Screw----NA |
| 35 | 313764 | | Not Available | SCREW |
| 36 | Y313794 | | Not Available | OUTLET GRID AND DUCT --- S |
| 37 | Y313795 | | | Guide For Lint Screen |
| 38 | Y313796 | | | Lint Seal |
| 39 | 313915 | 31-3915 | | Tech Sheet |
| 40 | Y314110 | 33002917 | | Screw, No.10-16 |
| 41 | Y314153 | | Not Available | TUMBLER No. |
| 42 | 314154 | | Not Available | TUMBLER BAFFLE - SHORT |
| 43 | 314155 | 33001004 | | Baffle, Tall |
| 44 | 314158 | | | Washer, Baffle To Tumbler |
| 45 | 410233 | 9703438 | | Ring-Retrn |
| 46 | 901220 | | | Ground Wire |

