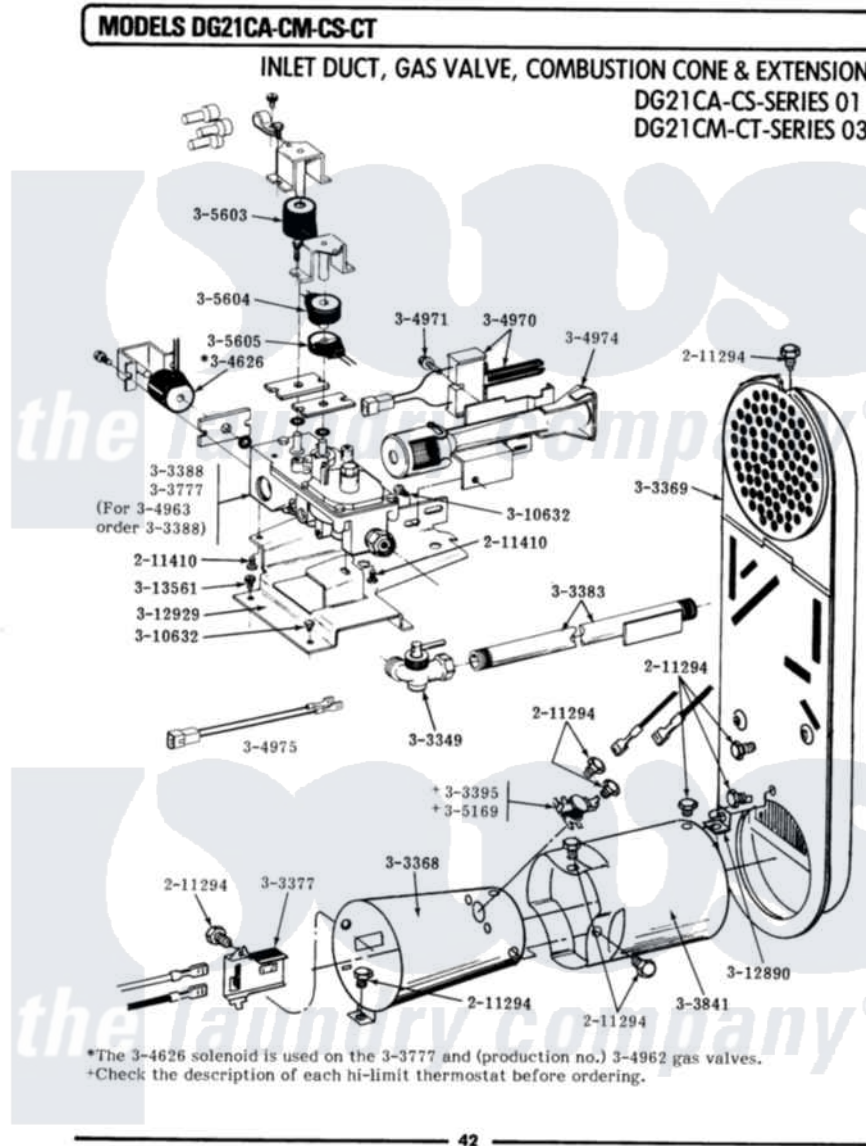


Maytag LDG21CS 09 - INLET DUCT, GAS VALVE & COMBUSTION CONE



Maytag [Residential Maytag LDG21CS Dryer Parts](#) Parts Diagram 09 - INLET DUCT, GAS VALVE & COMBUSTION CONE

[Click on the part number to view part](#)

Item	Original Part Number	Replaced By	Status	Part Description
001	211294	90767		Screw, 8A X 3/8 HeX Washer Head Tapping
002	NLA		Not Available	SCREW, HEX HD No.8 X 3/8 INCH
003	Y303349			Angle Shut-Off, Gas Valve
004	Y303368			Cone, Combustion
005	Y303369			Inlet Duct Assembly
006	Y303377	338906		Radiant, Sensor
007	Y303383	33001735		Pipe And Bracket Assembly Series 18 Not Needed Use Vavle
008	303395			Thermostat, Hi-Limit
009	Y303777	W10116794		Gas Valve
010	Y303841			Cone, Extension
011	Y304626			Side Coil
012	304970	4391996		Ignitor
013	304971			Screw Note: Screw, Igniter

014	304974	33002793	Burner Assembly
015	304975		Gas Valve Harness
016	305169		Thermostat, Hi-Limit Gas
017	305603		Secondary Coil
018	305604		Holding Coil
019	305605		Booster Coil
020	Y310632	1163839	Screw
021	Y312890		Retainer, Heater Chamber
022	312929		Gas Valve Bracket
023	Y313561		Screw----NA

