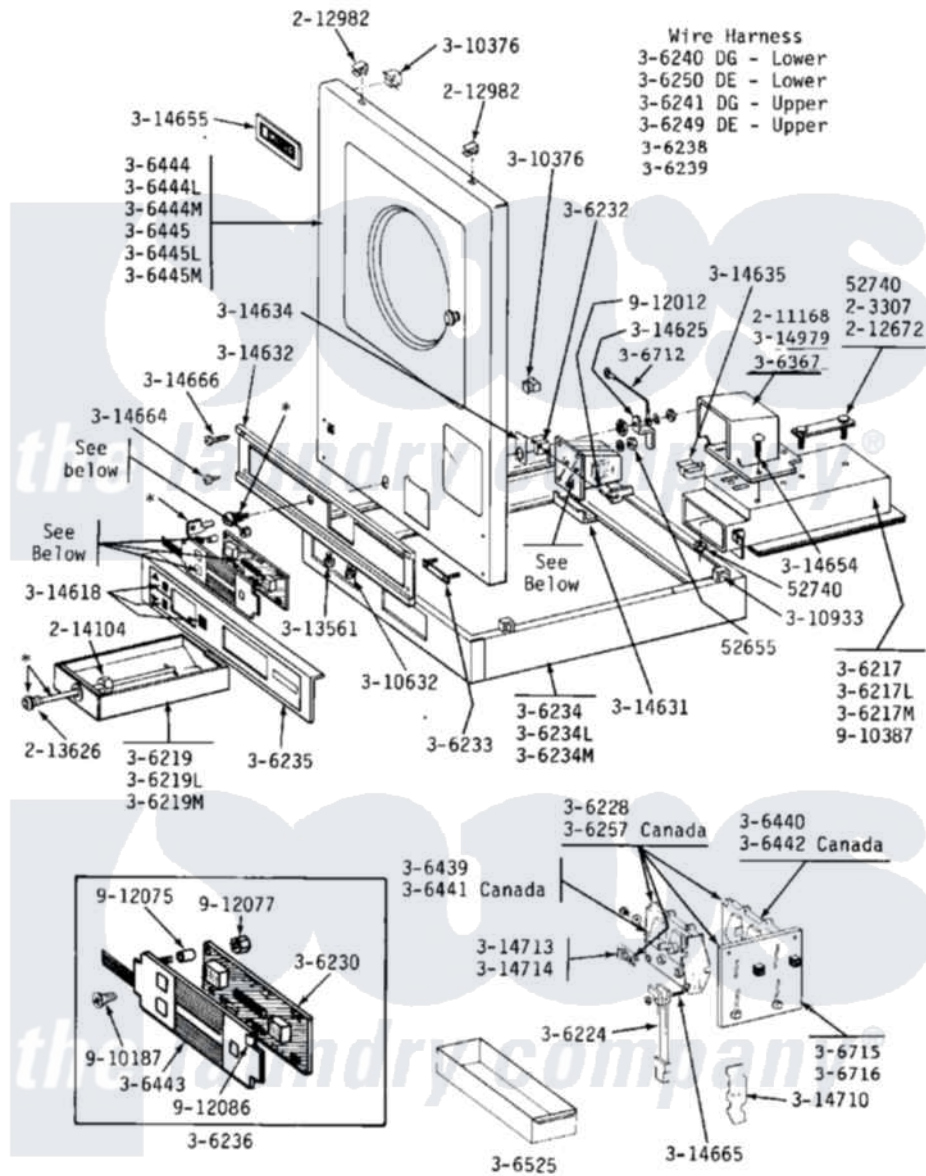


Maytag LDG23CD 03 - CONTROLS & UPPER DRYER FRONT PANEL



*Contact your commercial laundry distributor for locks and keys.

Maytag [Residential Maytag LDG23CD Dryer Parts](#) Parts Diagram 03 - CONTROLS & UPPER DRYER FRONT PANEL
 Click on the part number to view part

Item	Original Part Number	Replaced By	Status	Part Description
001	Y052655			Hex Nut, No.8-32
002	Y052740	62739		Nut, Lock
003	NLA		Not Available	MTG. STRAP---NA
004	211168	W10139210		Screw, 8-18 X 5/16
005	NLA		Not Available	WASHER
006	NLA		Not Available	WASHER
007	212982	22001650		Fastener, Spring
008	NLA		Not Available	SPRING WASHER FOR LOCK
009	214104			Reinforcing Nut For Coin BO
010	NLA		Not Available	CNT. HARNESS MICROPROCESSOR
011	NLA		Not Available	VAULT ASSEMBLY-ALMOND
012	NLA		Not Available	VAULT ASSEMBLY-HARVEST WHEA
013	306219	308143		Tray, Coin
014	NLA		Not Available	COIN TRAY-ALMOND

015	NLA		Not Available	COIN TRAY-HARVEST WHEAT
016	Y306224		Not Available	COIN SENSOR SWITCH
017	306228		Not Available	DUAL COIN ACCEPTOR
018	NLA		Not Available	CONTROL BOARD ASSEMBLY
019	Y306232			Switch, Access
020	306233		Not Available	STRAP, COIN ACCEPTOR
021	NLA		Not Available	COUPLING COLLAR-WHITE
022	NLA		Not Available	COUPLING COLLAR- ALMOND
023	NLA		Not Available	COUPLING COLLAR-HARV WHEAT
024	NLA		Not Available	LOWER PANEL----NA
025	NLA		Not Available	CONTROL & TOUCH PAD ASSEMBL
026	NLA		Not Available	EDGE BOARD CONNECTOR
027	NLA		Not Available	EDGE BOARD CONNECTOR
028	NLA		Not Available	WIRE HARNESS-LOWER, GAS
029	NLA		Not Available	WIRE HARNESS-UPPER, GAS
032	NLA		Not Available	DUAL COIN ACCEPTOR- CANADA
033	NLA		Not Available	COIN DROP ASSEMBLY--- NA
034	306439			REJECTOR ASSEMBLY-\$.10
035	NLA		Not Available	REJECTOR ASSEMBLY
036	NLA		Not Available	REJECTOR ASSM. - \$.10 CANAD
037	NLA		Not Available	REJECTOR ASSM. - \$.25 CANAD
038	306443			Touch Pad Assembly
042	NLA		Not Available	FRONT PANEL-WHITE
043	NLA		Not Available	FRONT PANEL-ALMOND--- NA
044	NLA		Not Available	FRONT PANEL-HARVEST WHEAT
045	NLA		Not Available	COIN SEPARATOR ASSEMBLY
046	Y306712	Y303981		Ground Wire For Latch
047	NLA		Not Available	FRONT PLATE W/GND. WIRES
048	Y306716			Front Plate Assembly
049	Y310376			Clip, Door Switch Harness
050	Y310632	1163839		Screw
051	310933	33002194		Nut, Speed
052	Y313561			Screw----NA
053	314618			Lens
054	314625	206637		Lock Kit
055	314631			Bracket, Coin Mechanism
056	NLA		Not Available	UPPER CONTROL EXTRUSION
057	314634			Bracket, Access Switch
058	314635			Chute, Coin
059	314654			Bolt, Coin Drop Cover
060	NLA		Not Available	NAME PLATE
061	314664	212277		Screw, No.8 X 1/2 Inch
062	314665			Screw, Switch Assembly

063	314666	Not Available	SCREW, PANEL (UPR)
064	314710	Not Available	COIN SLOT COVER (ACCESS)
065	314713		Balance Arm W/Weight-\$.10
066	NLA	Not Available	BALANCE ARM W/WEIGHT (\$.25)
067	314979	Not Available	SHIELD, ACCESS SWITCH
068	910187		Screw
069	912012	3400409	Screw
070	912075		Spacer, Circuit Board
071	912077		Locknut, Reader Harness
072	912086		Clip, Speed

