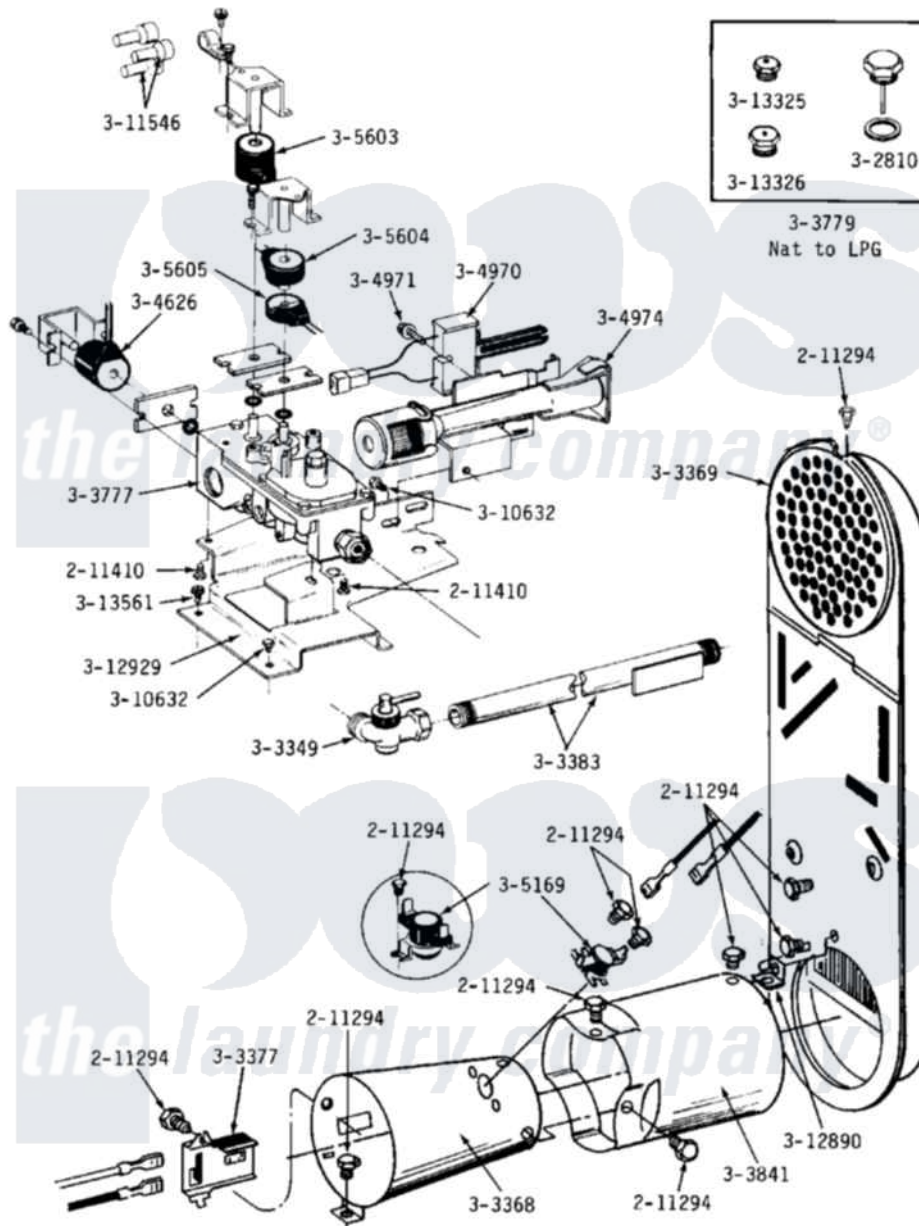


Maytag LDG23CD 07 - INLET DUCT, GAS VALVE, CONE & EXTENSION



Maytag [Residential Maytag LDG23CD Dryer Parts](#) Parts Diagram 07 - INLET DUCT, GAS VALVE, CONE & EXTENSION

[Click on the part number to view part](#)

Item	Original Part Number	Replaced By	Status	Part Description
001	211294	90767		Screw, 8A X 3/8 HeX Washer Head Tapping
002	NLA		Not Available	SCREW, HEX HD No.8 X 3/8 INCH
003	NLA		Not Available	SCREW ASSM - BLUE BLOCK OPE
004	Y303349			Angle Shut-Off, Gas Valve
005	Y303368			Cone, Combustion
006	Y303369			Inlet Duct Assembly
007	Y303377	338906		Radiant, Sensor
008	Y303383	33001735		Pipe And Bracket Assembly Series 18 Not Needed Use Vavle
009	Y303777	W10116794		Gas Valve
010	Y303779			Conversion Kit
"	Y304672			Conversion Kit-LPG To Nat.
011	Y303841			Cone, Extension
012	Y304626			Side Coil

013	304970	4391996	Ignitor
014	304971		Screw Note: Screw, Igniter
015	304974	33002793	Burner Assembly
016	305169		Thermostat, Hi-Limit Gas
017	305603		Secondary Coil
018	305604		Holding Coil
019	305605		Booster Coil
020	NLA	Not Available	ORIFICE KIT, NAT (HIGH ALT.)
021	NLA	Not Available	ORIFICE KIT, LP (HIGH ALT.)
022	Y310632	1163839	Screw
023	311546	911445	Wire Connector
024	Y312890		Retainer, Heater Chamber
025	312929		Gas Valve Bracket
026	NLA	Not Available	MAIN BURNER ORIFICE - LPG
027	NLA	Not Available	INTERNAL ORIFICE - LPG
028	NLA	Not Available	MAIN BURNER ORIFICE (MFG)
029	Y313561		Screw---NA

