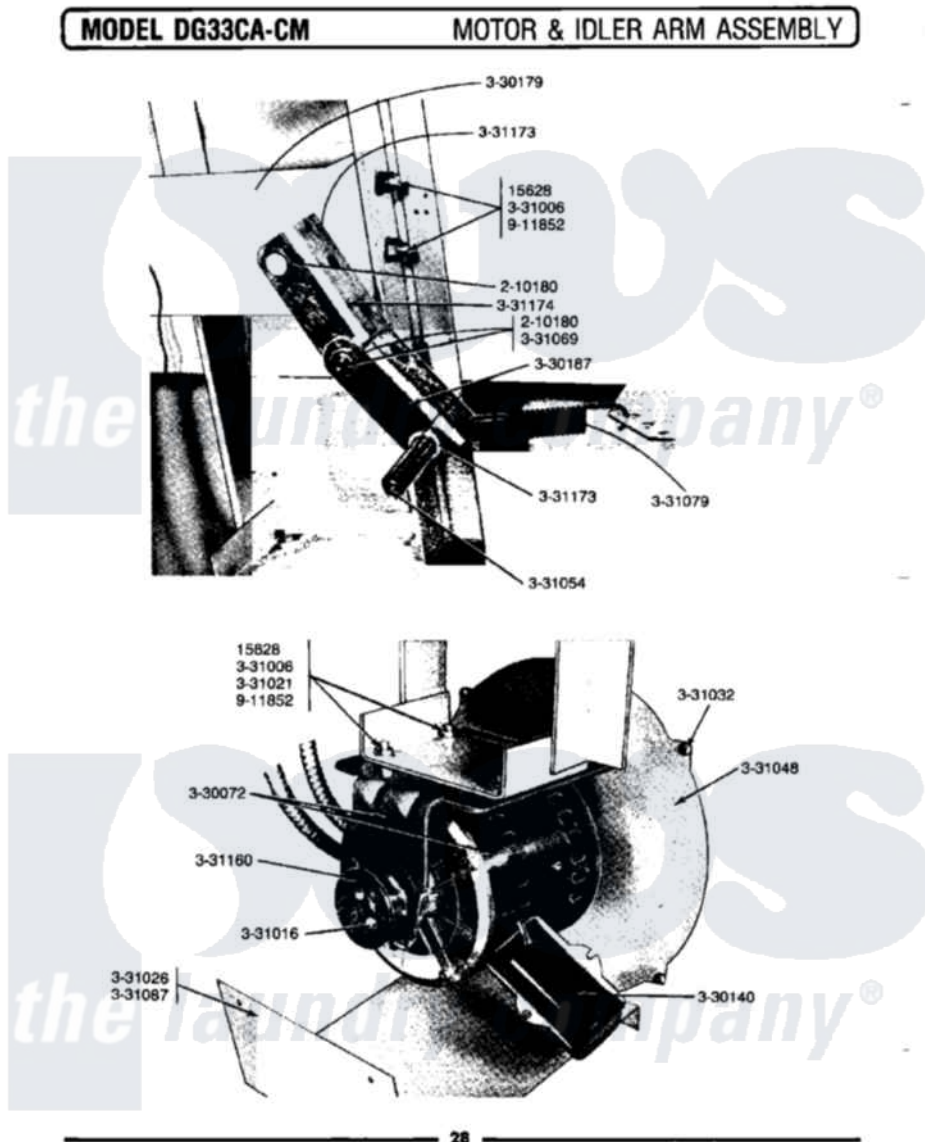


Maytag LDG33CA 13 - MOTOR & IDLER ARM ASSEMBLY



Maytag Residential Maytag LDG33CA Dryer Parts Parts Diagram 13 - MOTOR & IDLER ARM ASSEMBLY
 Click on the part number to view part

Item	Original Part Number	Replaced By	Status	Part Description
001	NLA		Not Available	BOLT, 5/16 X 3/4 HEX
002	210180		Not Available	RETAINING RING
003	Y330072		Not Available	MOTOR COMPLETE
004	NLA		Not Available	CAPICATOR
005	Y330179			Bracket And Pin
006	330187		Not Available	IDLER ARM ASSEMBLY WITH PIN
007	NLA		Not Available	INTERNAL MOTOR SWITCH
008	NLA		Not Available	NUT-DRUM SUPPORT BOLT, 5/16
009	NLA		Not Available	SET SCREW FOR MOTOR PULLEY
010	NLA		Not Available	WASHER - MOTOR SUPPORT BOLT
011	331026	90767		Screw, 8A X 3/8 HeX Washer Head Tapping
012	331032	61002031		Screw, Handle
013	331048		Not Available	COVER FOR BLOWER IMPELLER

014	331054		Grease Fitting - Pulley Pin
015	331069		Pivot Pin For Tension Arms
016	331079	Not Available	TENSION SPRING
017	NLA	Not Available	SHIELD FOR MOTOR
018	NLA	Not Available	SUPPORT FOR REAR COVER-LEFT
019	NLA	Not Available	RIB, TUMBLER (ONLY)
020	331160		Motor Pulley
021	331162	A55	Multiplus Dual Brand V Belt
022	331173	Not Available	WASHER
023	331174	Not Available	IDLER BRACKET
024	911852	486009	Lockwasher

the laundry company[®]

the laundry company[®]

the laundry company[®]