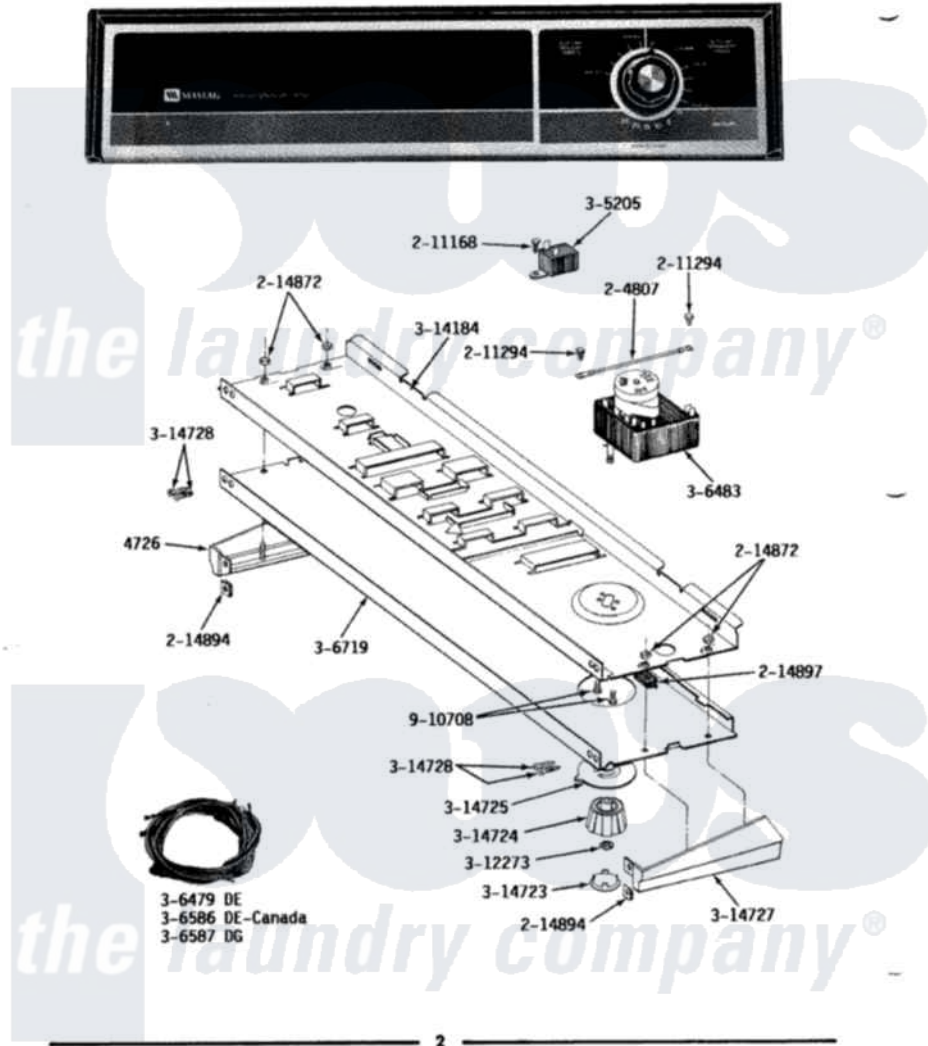


# Maytag LDG382 01 - CONTROL PANEL

**MODEL DE-DG382 CONTROL PANEL**



Maytag [Residential Maytag LDG382 Dryer Parts](#) Parts Diagram 01 - CONTROL PANEL  
 Click on the part number to view part

Item	Original Part Number	Replaced By	Status	Part Description
1	<a href="#">204807</a>			Ground Wire, Supp. Plte To Top Cover
2	211168	<a href="#">W10139210</a>		Screw, 8-18 X 5/16
3	211294	<a href="#">90767</a>		Screw, 8A X 3/8 HeX Washer Head Tapping
4	<a href="#">214872</a>			Palnut, End Cap Note: Nut, Lamp Holder
5	<a href="#">214894</a>			Fastener, End Cap
6	<a href="#">214897</a>			Pad, Control Panel
7	305205	<a href="#">694419</a>		Mini-Buzzer
8	306479		Not Available	MAIN WIRE HARNESS
9	<a href="#">306483</a>			Timer
10	306586		Not Available	MAIN WIRE HARNESS
11	306587		Not Available	MAIN WIRE HARNESS
12	306719		Not Available	CONTROL PANEL
13	<a href="#">312273</a>			Nut, Control Knob
14	<a href="#">314184</a>			Back Up Plate

15	314723	<a href="#">W10133501</a>	Cap, Knob
16	<a href="#">314724</a>		Knob For Timer
17	314725	<a href="#">33001500</a>	Dial, Timer Indicator
18	314726		Not Available
19	314727	<a href="#">207927</a>	END CAP - LEFT HAND
20	314728	<a href="#">210932</a>	End Cap, Control Panel
21	910708	<a href="#">488234</a>	Screw, No.8 X 9/16 Ctsk Note: Screw, Inlet Duct
			Screw 8-32 X 1/4

