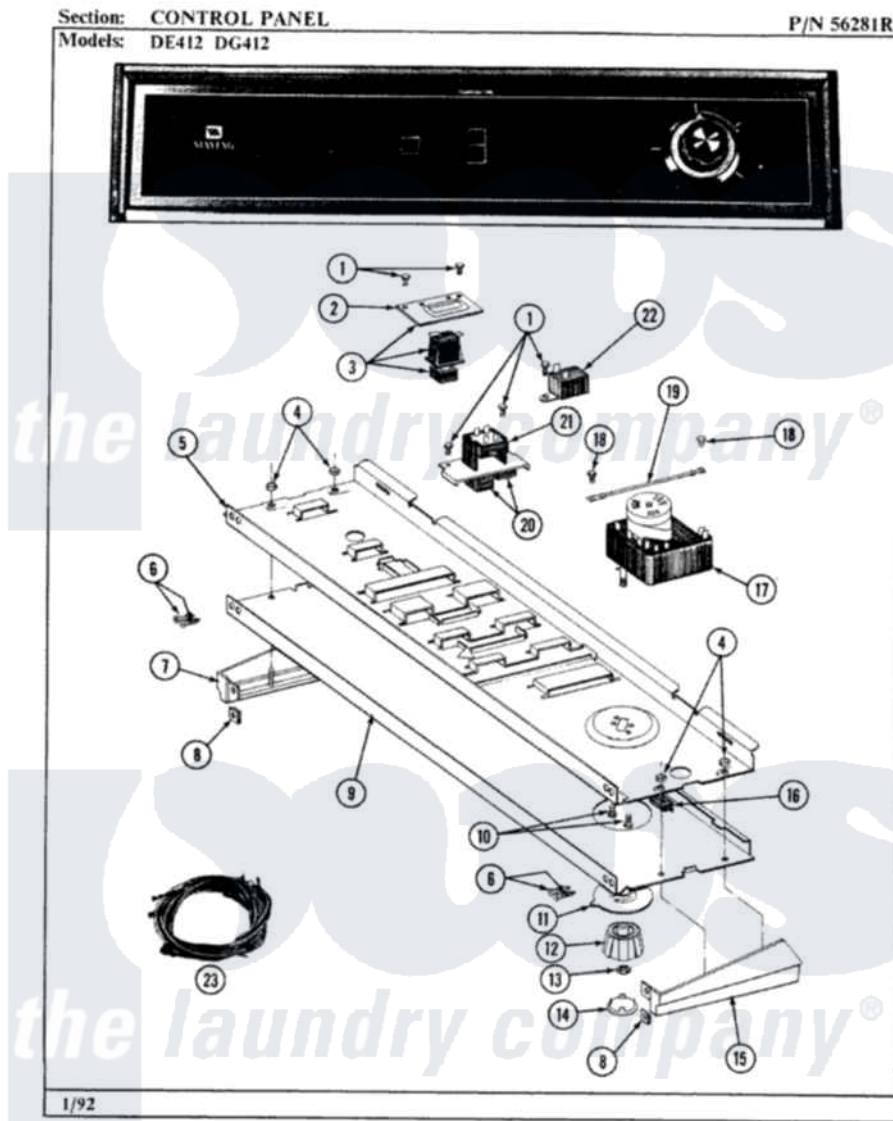


Maytag LDG412 01 - CONTROL PANEL



Maytag [Residential Maytag LDG412 Dryer Parts](#) Parts Diagram 01 - CONTROL PANEL
 Click on the part number to view part

| Item | Original Part Number | Replaced By | Status | Part Description |
|------|------------------------|---------------------------|---------------|---|
| 1 | 211168 | W10139210 | | Screw, 8-18 X 5/16 |
| 2 | 314177 | | Not Available | BRACKET FOR START SWITCH |
| 3 | 306533 | | | Switch, Push/To/Start W/Bkt |
| 4 | 214872 | | | Palnut, End Cap Note: Nut, Lamp Holder |
| 5 | 314184 | | | Back Up Plate |
| 6 | 210932 | | | Screw, No.8 X 9/16 Ctsk Note: Screw, Inlet Duct |
| 7 | 214815 | | | End Cap F/Control Panel-LH |
| 8 | 214894 | | | Fastener, End Cap |
| 9 | 305882 | | Not Available | CONTROL PANEL |
| " | 306382 | | Not Available | CONTROL PANEL |
| 10 | 910708 | 488234 | | Screw 8-32 X 1/4 |
| 11 | 314422 | 33001500 | | Dial, Timer Indicator |
| 12 | 314421 | | | Knob For Timer |
| 13 | 312273 | | | Nut, Control Knob |

| | | | |
|----|------------------------|------------------------|---|
| 14 | 215164 | Not Available | CAP FOR KNOB |
| 15 | 214816 | | End Cap F/Control Panel-RH |
| 16 | 214897 | | Pad, Control Panel |
| 17 | 305448 | | Timer |
| 18 | 211294 | 90767 | Screw, 8A X 3/8 HeX Washer Head Tapping |
| 19 | 204807 | | Ground Wire, Supp. Plte To Top Cover |
| 20 | 215210 | | Button For Switch |
| 21 | 305963 | | Temperature Switch |
| 22 | 305205 | 694419 | Mini-Buzzer |
| 23 | 306179 | | Main Wire Harness |
| " | 306805 | | Wire Harness |
| " | 305342 | Not Available | MAIN WIRE HARNESS |

