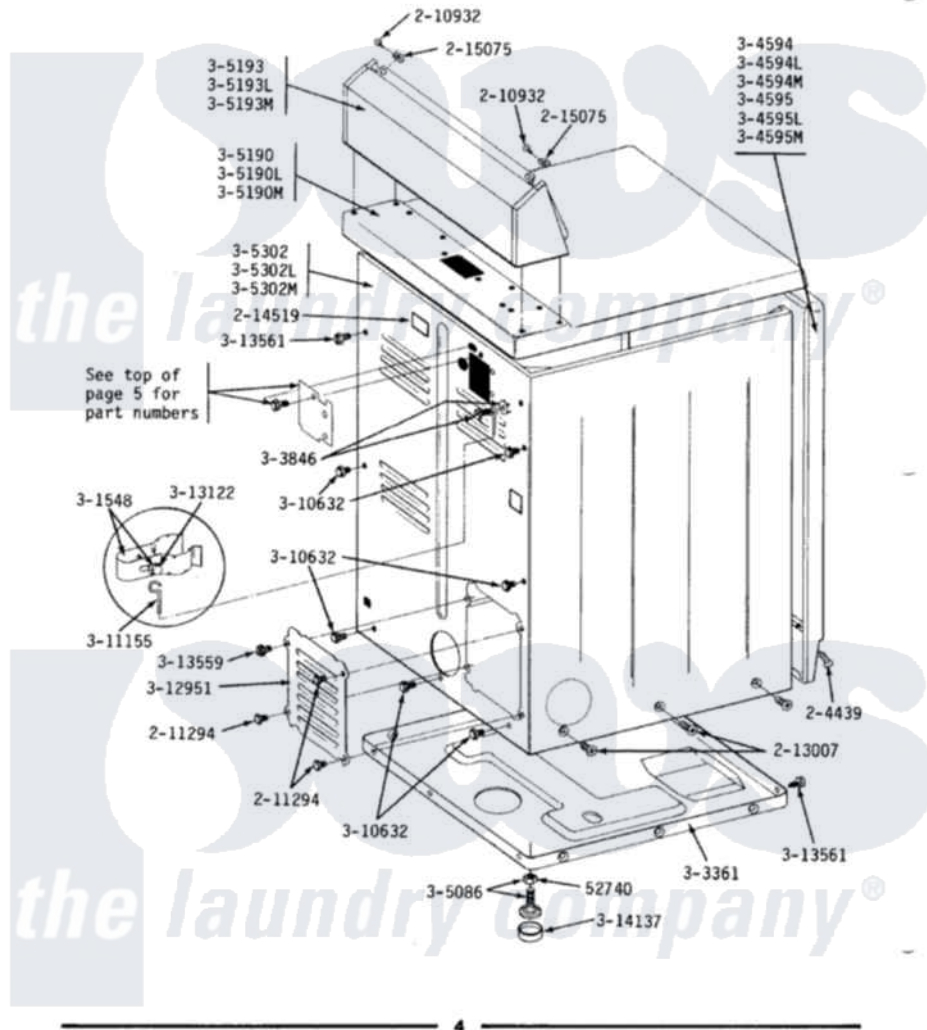


# Maytag LDG510 08 - REAR VIEW

**MODELS DE-DG110-210-410-510-610-710-810 REAR VIEW**



Maytag [Residential Maytag LDG510 Dryer Parts](#) Parts Diagram 08 - REAR VIEW

[Click on the part number to view part](#)

Item	Original Part Number	Replaced By	Status	Part Description
1	Y052740	<a href="#">62739</a>		Nut, Lock
2	<a href="#">Y201808</a>			Converter
3	<a href="#">204439</a>			Screw And Fstner Assembly
4	<a href="#">210932</a>			Screw, No.8 X 9/16 Ctsk Note: Screw, Inlet Duct
5	211294	<a href="#">90767</a>		Screw, 8A X 3/8 HeX Washer Head Tapping
6	<a href="#">211881</a>			Grommet, Cord Part Not Used- Gas Models Only
7	<a href="#">213007</a>			Xfor Cabinet See Cabinet, Back
8	214519			LABEL, ELECTRICAL INSTR. PART NOT USED-GAS MODELS ONLY
9	<a href="#">215075</a>			Fastener, Control Panel To Console
10	<a href="#">301548</a>			Clamp, Ground Wire
11	302521		Not Available	CORD, POWER PART NOT USED-GAS MODELS ONLY

12	Y303361		Not Available	BASE ASSY. (UPPER & LOWER)
13	303846	<a href="#">22003781</a>		Screw, Ground Strap
15	304594L		Not Available	FRONT PANEL-ALMOND
20	<a href="#">Y305086</a>			Adjustable Leg And Nut
25	<a href="#">305193L</a>			Console
28	305302L		Not Available	CABINET-ALMOND
30	Y310632	<a href="#">1163839</a>		Screw
"	Y310632	<a href="#">1163839</a>		Screw
31	<a href="#">311155</a>			Ground Wire And Clamp
32	Y312905		Not Available	COVER, TERMINAL
33	Y312951		Not Available	ACCESS COVER, BACK
34	<a href="#">313122</a>			Screw - Baffle To Tumbler
35	<a href="#">Y313559</a>			Screw
36	<a href="#">Y313561</a>			Screw---NA
37	<a href="#">Y313561</a>			Screw---NA
38	<a href="#">Y314137</a>			Foot, Rubber

