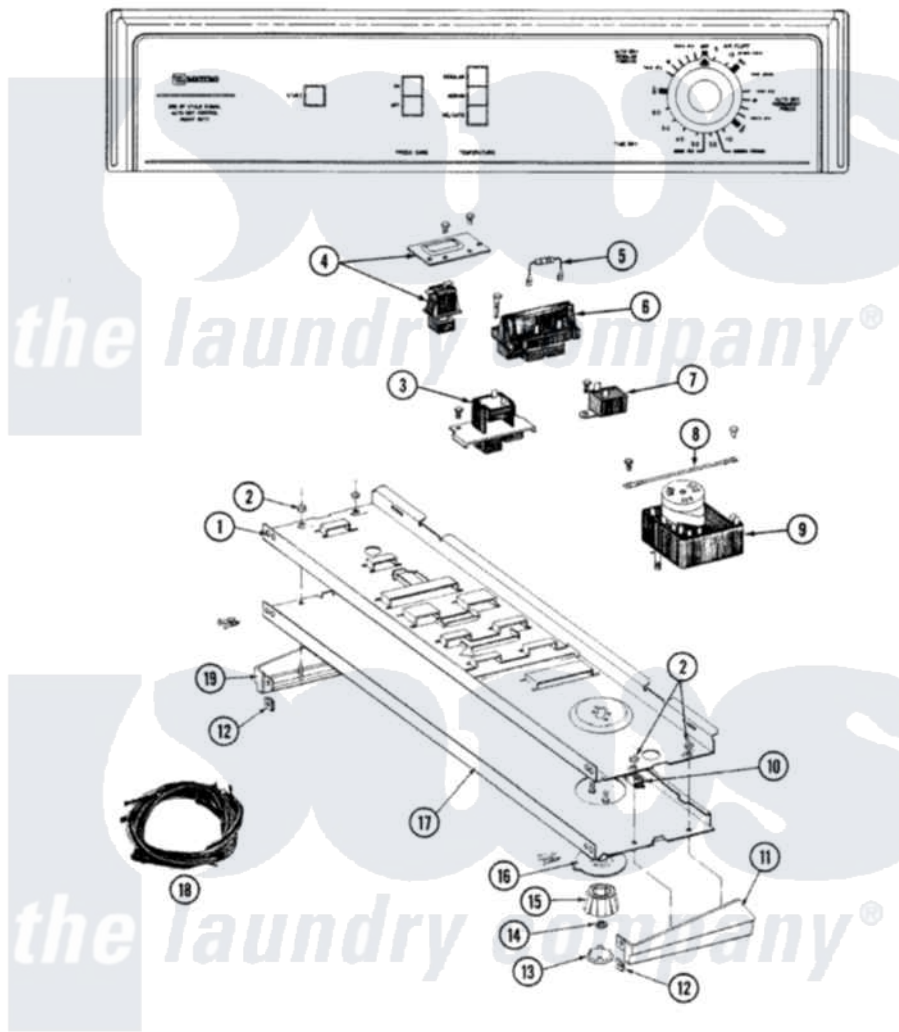


# Maytag LDG5910 01 - CONTROL PANEL

SECTION: CONTROL PANEL  
MODEL: DE-DG5910



Issue Date: 6/98

6

Maytag [Residential Maytag LDG5910 Dryer Parts](#) Parts Diagram 01 - CONTROL PANEL  
Click on the part number to view part

| Item | Original Part Number   | Replaced By               | Status        | Part Description                        |
|------|------------------------|---------------------------|---------------|---|
| 1    | <a href="#">314184</a> |                           |               | Back Up Plate                           |
| 2    | <a href="#">214872</a> |                           |               | Palnut, End Cap Note: Nut, Lamp Holder  |
| 3    | 211168                 | <a href="#">W10139210</a> |               | Screw, 8-18 X 5/16                      |
| "    | <a href="#">307310</a> |                           |               | Press Care Switch                       |
| 4    | 211168                 | <a href="#">W10139210</a> |               | Screw, 8-18 X 5/16                      |
| "    | <a href="#">307305</a> |                           |               | Switch Push To Start                    |
| 5    | <a href="#">306917</a> |                           |               | Resistor, Med Temp Gas                  |
| 6    | 307304                 |                           | Not Available | TEMP CONTROL SWITCH 3 BUTTON            |
| "    | 213117                 | <a href="#">67006908</a>  |               | Screw, Ice Rack                         |
| 7    | 305205                 | <a href="#">694419</a>    |               | Mini-Buzzer                             |
| "    | 211168                 | <a href="#">W10139210</a> |               | Screw, 8-18 X 5/16                      |
| 8    | 211294                 | <a href="#">90767</a>     |               | Screw, 8A X 3/8 HeX Washer Head Tapping |
| "    | <a href="#">204807</a> |                           |               | Ground Wire, Supp. Plte To Top Cover    |
| 9    | <a href="#">306545</a> |                           |               | Timer                                   |

|    |                        |                        |  |
|----|------------------------|------------------------|--|
| "  | 910708                 | <a href="#">488234</a> | Screw 8-32 X 1/4                                   |
| 10 | <a href="#">214897</a> |                        | Pad, Control Panel                                 |
| 11 | <a href="#">210932</a> |                        | Screw, No.8 X 9/16 Ctsk Note:<br>Screw, Inlet Duct |
| "  | 207216                 | Not Available          | END CAP RH   |
| 12 | <a href="#">214894</a> |                        | Fastener, End Cap                                  |
| 13 | 215821                 | Not Available          | CAP, KNOB  |
| 14 | <a href="#">312273</a> |                        | Nut, Control Knob                                  |
| 15 | <a href="#">315041</a> |                        | Knob, Timer  |
| 16 | <a href="#">315042</a> |                        | Dial Skirt   |
| 17 | 307327                 | Not Available          | CONTROL PANEL                                      |
| 18 | 307289                 | Not Available          | WIRE HARNESS                                       |
| 19 | 207215                 | Not Available          | END CAP LH   |

**Howes**  
the laundry company®

**Howes**  
the laundry company®

**Howes**  
the laundry company®