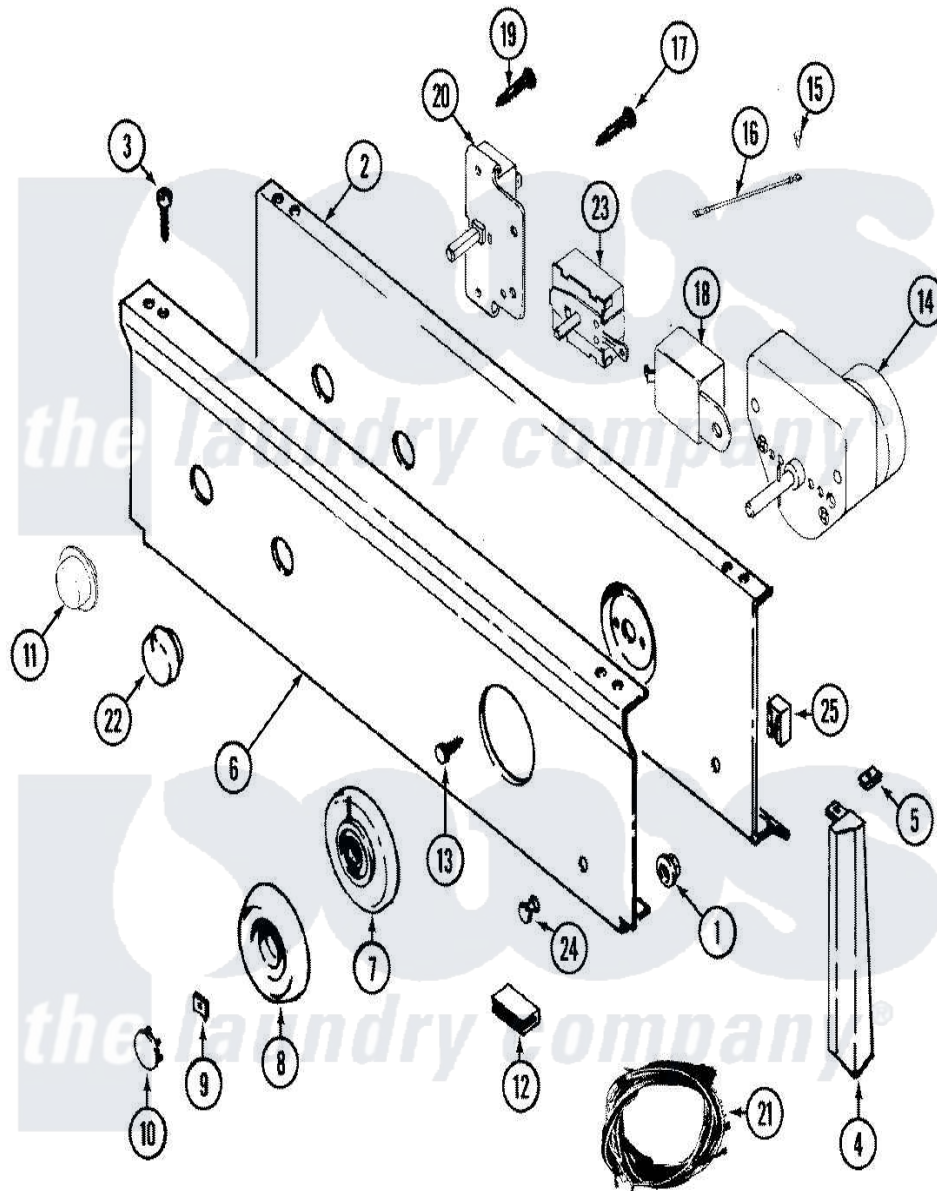


# Maytag LDG7304ABL 03 - CONTROL PANEL



Maytag [Residential Maytag LDG7304ABL Dryer Parts](#) Parts Diagram 03 - CONTROL PANEL  
 Click on the part number to view part

| Item | Original Part Number     | Replaced By            | Status        | Part Description                                |
|------|--------------------------|------------------------|---------------|---|
| 1    | <a href="#">214872</a>   |                        |               | Palnut, End Cap Note: Nut, Lamp Holder          |
| 2    | 33001237                 |                        | Not Available | PLATE, SUPPORT                                  |
| 3    | 314728                   | <a href="#">210932</a> |               | Screw, No.8 X 9/16 Ctsk Note: Screw, Inlet Duct |
| 4    | <a href="#">22001288</a> |                        |               | End Cap, Control Panel                          |
| "    | <a href="#">22001290</a> |                        |               | End Cap, Control Panel                          |
| 5    | <a href="#">214894</a>   |                        |               | Fastener, End Cap                               |
| 6    | <a href="#">33001098</a> |                        |               | Panel, Control                                  |
| 7    | 33001182                 |                        | Not Available | SKIRT, TIMER DIAL (BLK)                         |
| 8    | <a href="#">315041</a>   |                        |               | Knob, Timer                                     |
| 9    | <a href="#">312273</a>   |                        |               | Nut, Control Knob                               |
| 10   | 216193                   |                        | Not Available | CAP, TIMER KNOB (BLK)                           |
| 11   | <a href="#">33001184</a> |                        |               | Button  |
| 12   | <a href="#">214897</a>   |                        |               | Pad, Control Panel                              |
| 13   | 315317                   | <a href="#">488234</a> |               | Screw 8-32 X 1/4                                |
| 14   | <a href="#">Y308254</a>  |                        |               | Timer   |

|    |                          |                             |                                      |
|----|--------------------------|-----------------------------|--------------------------------------|
| 15 | 210186                   | <a href="#">3370225</a>     | Screw                                |
| 16 | <a href="#">204807</a>   |                             | Ground Wire, Supp. Plte To Top Cover |
| 17 | 315317                   | <a href="#">488234</a>      | Screw 8-32 X 1/4                     |
| 18 | Y308205                  | <a href="#">33001623</a>    | Buzzer, Non-Adjustable               |
| 19 | 315317                   | <a href="#">488234</a>      | Screw 8-32 X 1/4                     |
| 20 | 33001232                 | Not Available               | SWITCH, PUSH TO START                |
| 21 | <a href="#">33001126</a> |                             | Harness, Wire                        |
| "  | <a href="#">33001352</a> |                             | Wire Harness, Main                   |
| "  | <a href="#">33001547</a> |                             | Harness, Wire                        |
| 22 | <a href="#">22001267</a> |                             | Knob, Selector Switch                |
| 23 | 33001228                 | Not Available               | SWITCH, TEMP. (3 POSITIONS)          |
| 24 | 22001215                 | <a href="#">7730P011-60</a> | Lens, Indicator Light                |
| 25 | <a href="#">33001224</a> |                             | Light, Indicator                     |
| 26 | 33001266                 | Not Available               | MANUAL, USE & CARE (FRENCH)          |

