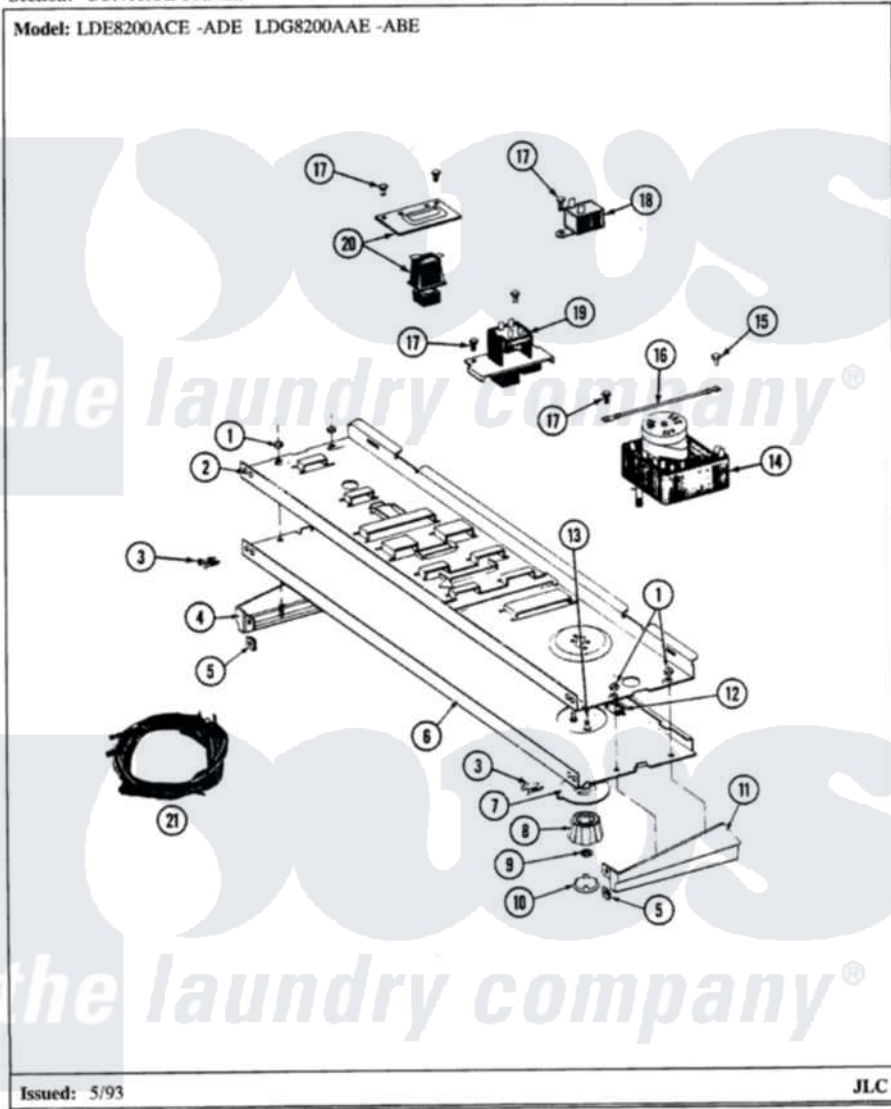


Maytag LDG8200AAE 03 - CONTROL PANEL

Section: CONTROL PANEL

P/N 16002019

Model: LDE8200ACE -ADE LDG8200AAE -ABE



Issued: 5/93

JLC

Maytag [Residential Maytag LDG8200AAE Dryer Parts](#) Parts Diagram 03 - CONTROL PANEL

[Click on the part number to view part](#)

Item	Original Part Number	Replaced By	Status	Part Description
1	214872			Palnut, End Cap Note: Nut, Lamp Holder
2	314184			Back Up Plate
3	210932			Screw, No.8 X 9/16 Ctsk Note: Screw, Inlet Duct
4	308469		Not Available	END CAP L.H.
5	214894			Fastener, End Cap
6	308646		Not Available	CONTROL PANEL
7	315438		Not Available	SKIRT, TIMER DIAL
8	315422	33001255		Knob, Timer
9	312273			Nut, Control Knob
10	216057		Not Available	CAP, KNOB
11	Y308470			End Cap RH
12	214897			Pad, Control Panel
13	315317	488234		Screw 8-32 X 1/4
14	Y308220		Not Available	TIMER
15	211204	00767		Screw, 8A X 3/8 HeX Washer

15	211234	30707		Head Tapping
16	204807			Ground Wire, Supp. Plte To Top Cover
17	211168	W10139210		Screw, 8-18 X 5/16
18	305205	694419		Mini-Buzzer
19	308467		Not Available	SWITCH, TEMPERATURE
20	308468	307305		Switch Push To Start
21	Y308492			Harness, Wire
"	308333			Wire Harness
22	315221		Not Available	MANUAL, USE & CARE

