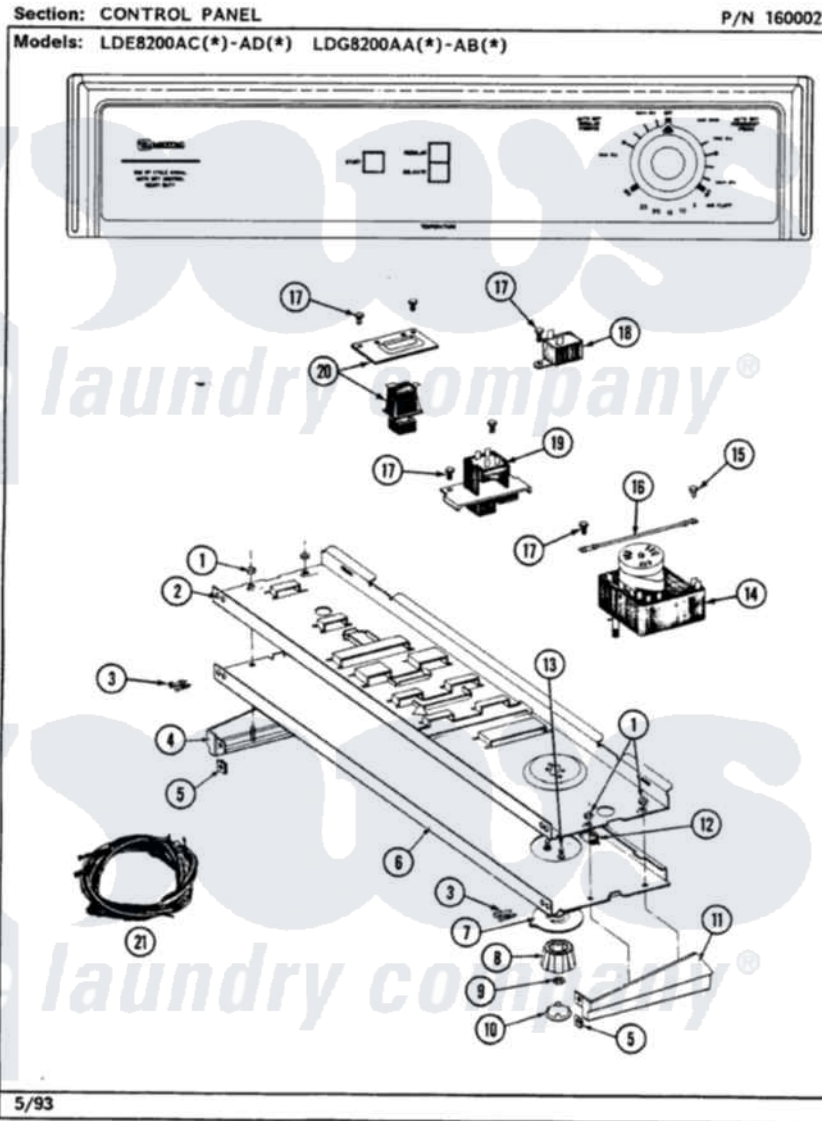


**Maytag LDG8200AAL 04 - CONTROL PANEL
(LDG8200AAW,AAL,ABL,ABW)**



Maytag [Residential Maytag LDG8200AAL Dryer Parts](#) Parts Diagram 04 - CONTROL PANEL
(LDG8200AAW,AAL,ABL,ABW)
Click on the part number to view part

| Item | Original Part Number | Replaced By | Status | Part Description |
|------|------------------------|------------------------|---------------|---|
| 1 | 214872 | | | Palnut, End Cap Note: Nut, Lamp Holder |
| 2 | 314184 | | | Back Up Plate |
| 3 | 210932 | | | Screw, No.8 X 9/16 Ctsk Note: Screw, Inlet Duct |
| 4 | 207215 | | Not Available | END CAP LH |
| 5 | 214894 | | | Fastener, End Cap |
| 6 | 308265 | | Not Available | CONTROL PANEL |
| 7 | 315042 | | | Dial Skirt |
| 8 | 315041 | | | Knob, Timer |
| 9 | 312273 | | | Nut, Control Knob |
| 10 | 215821 | | Not Available | CAP, KNOB |
| 11 | 207216 | | Not Available | END CAP RH |
| 12 | 214897 | | | Pad, Control Panel |
| 13 | 315317 | 488234 | | Screw 8-32 X 1/4 |

| | | | | |
|----|-------------------------|---------------------------|---------------|---|
| 14 | Y308220 | | Not Available | TIMER |
| 15 | 211294 | 90767 | | Screw, 8A X 3/8 HeX Washer Head Tapping |
| 16 | 204807 | | | Ground Wire, Supp. Plte To Top Cover |
| 17 | 211168 | W10139210 | | Screw, 8-18 X 5/16 |
| 18 | 305205 | 694419 | | Mini-Buzzer |
| 19 | 207365 | | | 2 Button Switch |
| 20 | 307305 | | | Switch Push To Start |
| 21 | 308333 | | | Wire Harness |
| " | Y308492 | | | Harness, Wire |
| 22 | 16000327 | | Not Available | GUIDE, QUICK REF. - MAYTAG |
| " | 315221 | | Not Available | MANUAL, USE & CARE |

the laundry company[®]

the laundry company[®]

the laundry company[®]