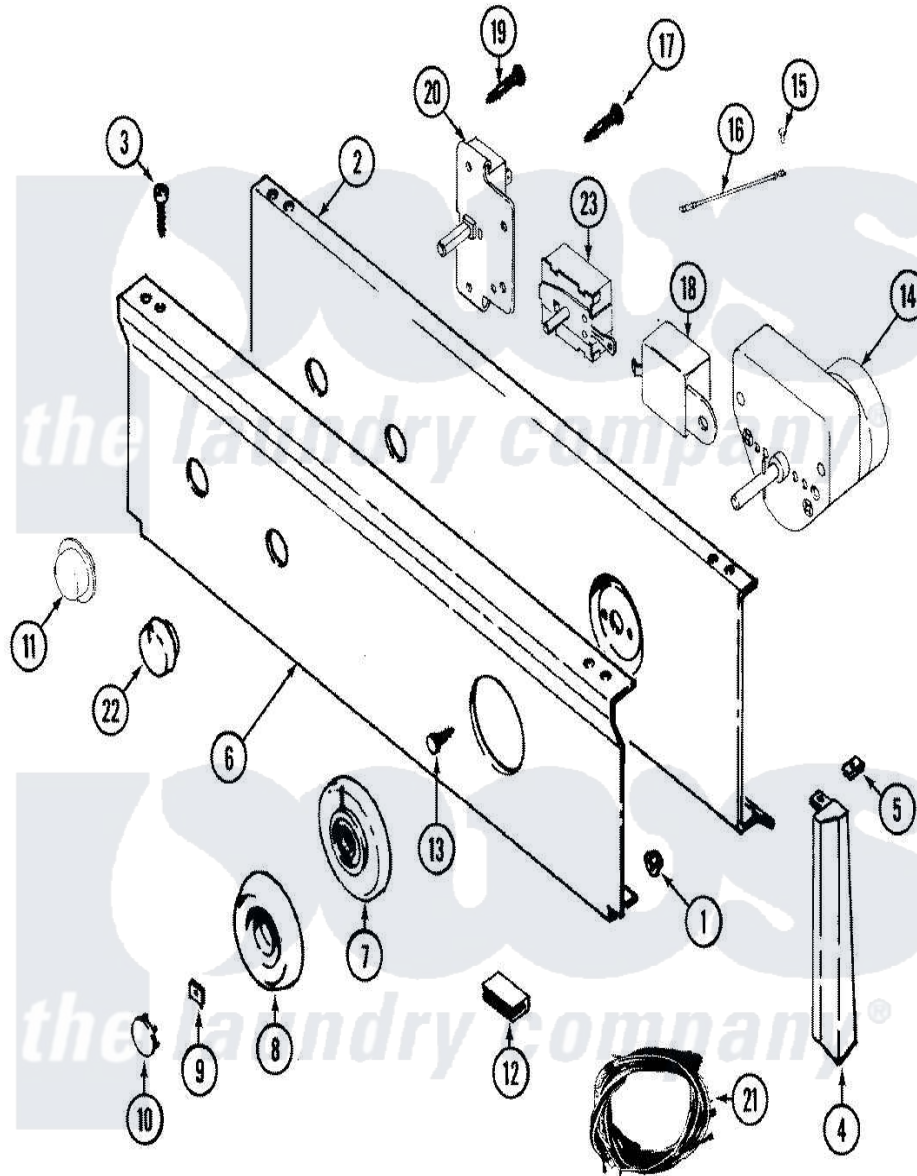


# Maytag LDG8404AAE 03 - CONTROL PANEL



Maytag Residential Maytag LDG8404AAE Dryer Parts Parts Diagram 03 - CONTROL PANEL  
 Click on the part number to view part

Item	Original Part Number	Replaced By	Status	Part Description
1	<a href="#">214872</a>			Palnut, End Cap Note: Nut, Lamp Holder
2	33001237		Not Available	PLATE, SUPPORT
3	<a href="#">210932</a>			Screw, No.8 X 9/16 Ctsk Note: Screw, Inlet Duct
4	<a href="#">22001564</a>			Cap, End
"	<a href="#">22001291</a>			End Cap, Control Panel
"	22001289		Not Available	END CAP, CTRL. PNL. (LT-WHT)
"	22001565		Not Available	CAP, END (LT-WHT)
5	<a href="#">214894</a>			Fastener, End Cap
6	<a href="#">33001065</a>			Panel, Control
7	<a href="#">33001183</a>			Skirt, Timer Dial
8	<a href="#">33001255</a>			Knob, Timer
9	<a href="#">312273</a>			Nut, Control Knob
10	216250	<a href="#">22001446</a>		Cap, Knob
11	33001185	<a href="#">33001187</a>		Button

12	<a href="#">214897</a>		Pad, Control Panel
13	315317	<a href="#">488234</a>	Screw 8-32 X 1/4
14	<a href="#">Y308254</a>		Timer
15	210186	<a href="#">3370225</a>	Screw
16	<a href="#">204807</a>		Ground Wire, Supp. Plte To Top Cover
17	315317	<a href="#">488234</a>	Screw 8-32 X 1/4
18	Y308205	<a href="#">33001623</a>	Buzzer, Non-Adjustable
19	315317	<a href="#">488234</a>	Screw 8-32 X 1/4
20	33001232	Not Available	SWITCH, PUSH TO START
21	<a href="#">33001547</a>		Harness, Wire
"	<a href="#">33001126</a>		Harness, Wire
"	<a href="#">33001352</a>		Wire Harness, Main
22	22001268	Not Available	KNOB ASSY. (WHT)
23	33001228	Not Available	SWITCH, TEMP. (3 POSITIONS)

