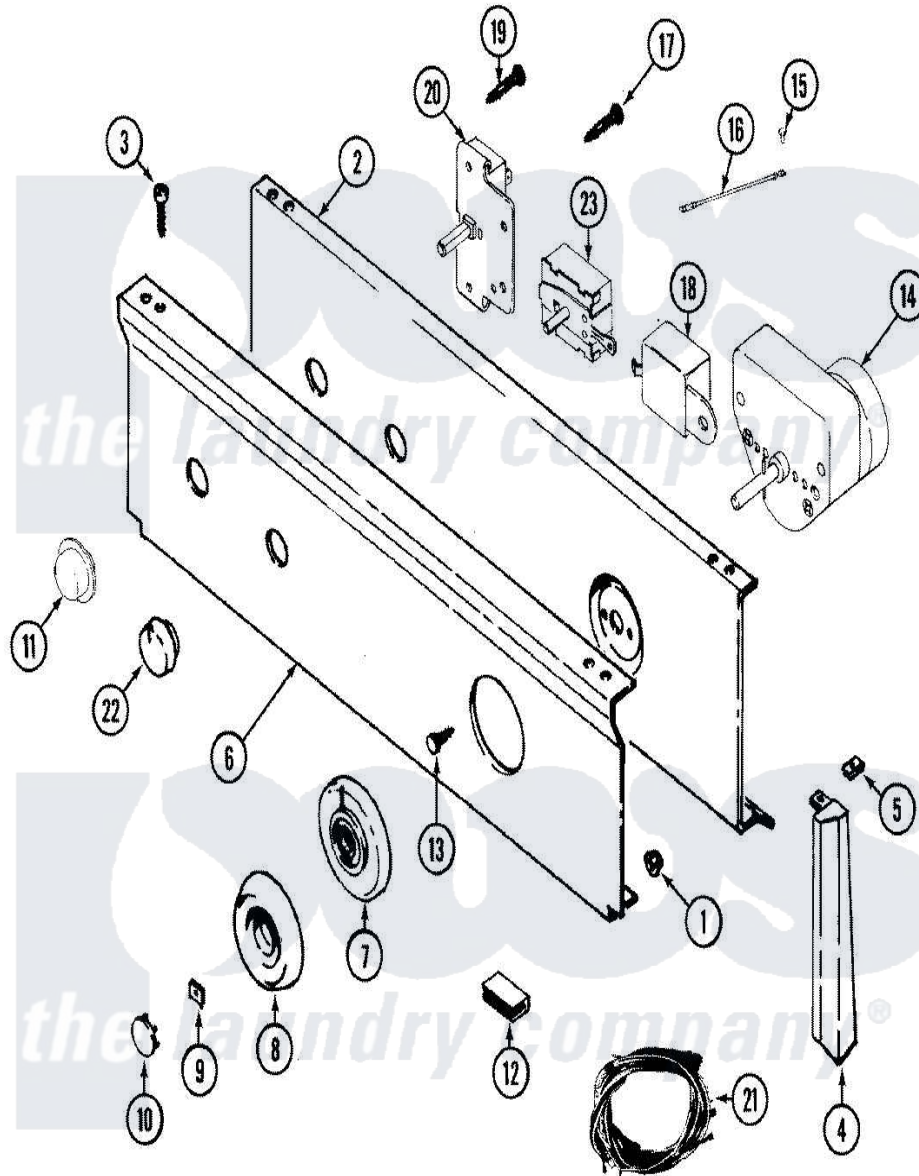


# Maytag LDG8404AAM 02 - CONTROL PANEL



Maytag Residential Maytag LDG8404AAM Dryer Parts Parts Diagram 02 - CONTROL PANEL  
 Click on the part number to view part

Item	Original Part Number	Replaced By	Status	Part Description
1	<a href="#">214872</a>			Palnut, End Cap Note: Nut, Lamp Holder
2	33001237		Not Available	PLATE, SUPPORT
3	<a href="#">210932</a>			Screw, No.8 X 9/16 Ctsk Note: Screw, Inlet Duct
4	22001566	<a href="#">22001293</a>		End Cap, Control Panel
"	<a href="#">22001293</a>			End Cap, Control Panel
"	22001292	<a href="#">22001567</a>		Cap, End
"	<a href="#">22001567</a>			Cap, End
5	<a href="#">214894</a>			Fastener, End Cap
6	33001468		Not Available	PANEL, CONTROL (ALM)
7	33001372		Not Available	SKIRT, TIMER DIAL (ALM)
8	33001282	<a href="#">33002325</a>		Knob Assembly
9	<a href="#">312273</a>			Nut, Control Knob
10	216424		Not Available	CAP, KNOB (ALM)
11	<a href="#">33001371</a>			Button, Push-To-Start
12	<a href="#">214897</a>			Pad, Control Panel

13	315317	<a href="#">488234</a>		Screw 8-32 X 1/4
14	<a href="#">Y308254</a>			Timer
15	210186	<a href="#">3370225</a>		Screw
16	<a href="#">204807</a>			Ground Wire, Supp. Plte To Top Cover
17	315317	<a href="#">488234</a>		Screw 8-32 X 1/4
18	Y308205	<a href="#">33001623</a>		Buzzer, Non-Adjustable
19	315317	<a href="#">488234</a>		Screw 8-32 X 1/4
20	33001232		Not Available	SWITCH, PUSH TO START
21	<a href="#">33001547</a>			Harness, Wire
"	<a href="#">33001126</a>			Harness, Wire
"	<a href="#">33001352</a>			Wire Harness, Main
22	22001269		Not Available	KNOB ASSY. (ALM)
23	33001228		Not Available	SWITCH, TEMP. (3 POSITIONS)

