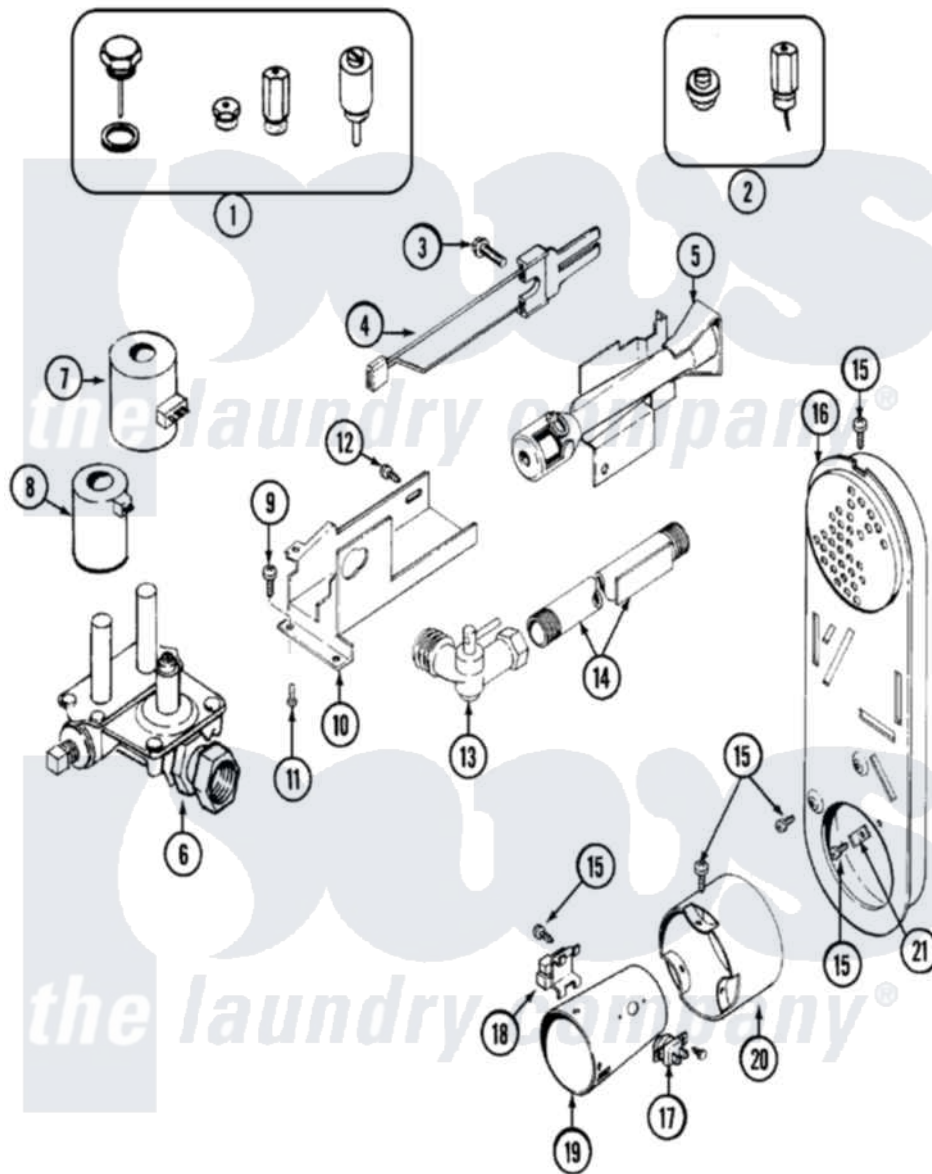


Maytag LDG8404AAM 04 - GAS VALVE



Maytag [Residential Maytag LDG8404AAM Dryer Parts](#) Parts Diagram 04 - GAS VALVE
 Click on the part number to view part

| Item | Original Part Number | Replaced By | Status | Part Description |
|------|-------------------------|----------------------------|--------|--|
| 1 | Y306195 | MAL9000AXX | | LP Gas Con |
| 2 | 306204 | 33002924 | | Gas Conv K |
| 3 | 304971 | | | Screw Note: Screw, Igniter |
| 4 | 304970 | 4391996 | | Ignitor |
| 5 | 33001247 | 33002793 | | Burner Assembly |
| 6 | 306176 | | | Valve, Gas |
| 7 | 306106 | | | Coil, Holding And Booster--W |
| 8 | 306105 | 694540 | | Coil, 60 Hz |
| 9 | Y313561 | | | Screw---NA |
| 10 | 314566 | | | Gas Control Bracket |
| 11 | Y313559 | | | Screw |
| 12 | 314082 | 90767 | | Screw, 8A X 3/8 HeX Washer Head Tapping |
| " | 314568 | Y313559 | | Screw |
| 13 | Y303349 | | | Angle Shut-Off, Gas Valve |
| 14 | Y303383 | 33001735 | | Pipe And Bracket Assembly Series 18 Not Needed Use |

| | | | |
|----|-------------------------|------------------------|---|
| 15 | 211294 | 90767 | Vavle Screw, 8A X 3/8 HeX Washer Head Tapping |
| 16 | Y308504 | Not Available | INLET DUCT ASSEMBLY |
| 17 | 303395 | | Thermostat, Hi-Limit |
| 18 | Y303377 | 338906 | Radiant, Sensor |
| 19 | Y308548 | | Combustion Cone Assembly |
| 20 | Y303841 | | Cone, Extension |
| 21 | Y312890 | | Retainer, Heater Chamber |

