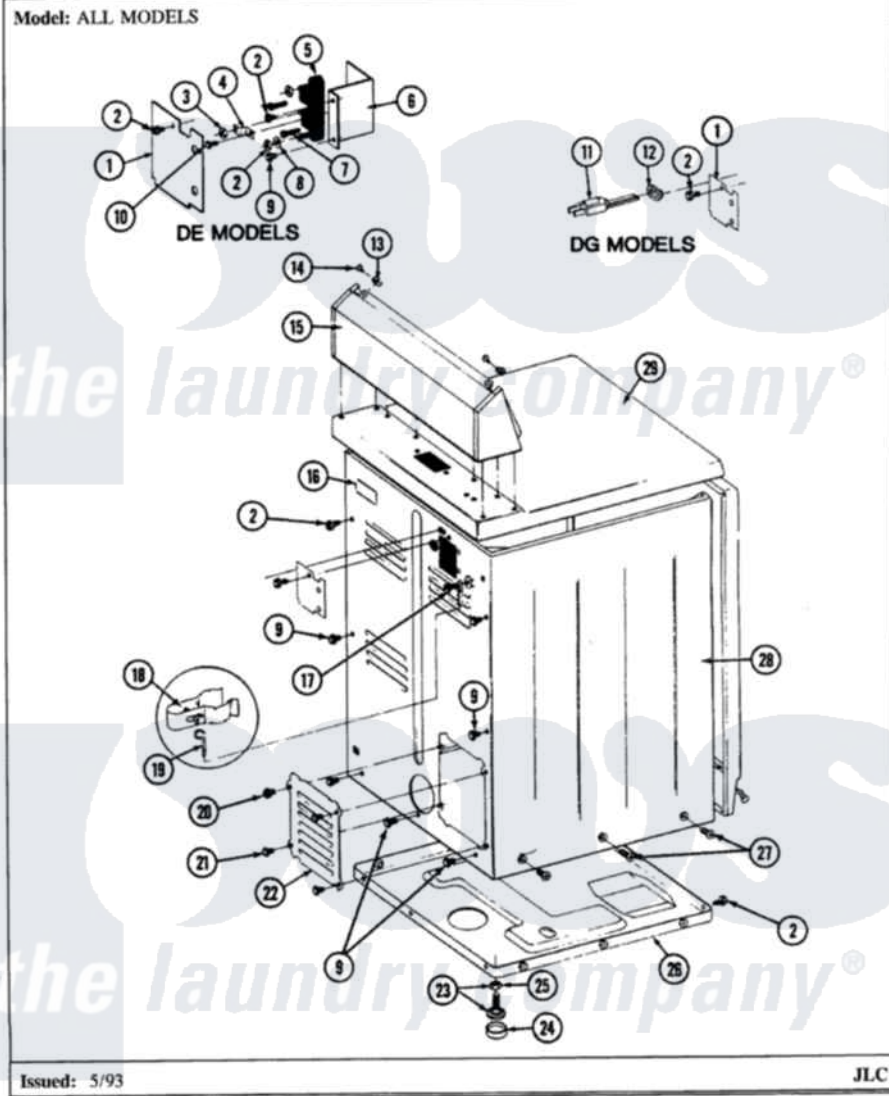


# Maytag LDG8410ABL 02 - CABINET-REAR

Section: CABINET - REAR

P/N 16002019



Maytag [Residential Maytag LDG8410ABL Dryer Parts](#) Parts Diagram 02 - CABINET-REAR

[Click on the part number to view part](#)

| Item | Original Part Number    | Replaced By              | Status        | Part Description                                       |
|------|-------------------------|--------------------------|---------------|--|
| 1    | Y312905                 |                          | Not Available | COVER, TERMINAL  |
| 13   | <a href="#">215075</a>  |                          |               | Fastener, Control Panel To Console                     |
| 14   | <a href="#">210932</a>  |                          |               | Screw, No.8 X 9/16 Ctsk Note: Screw, Inlet Duct        |
| 15   | <a href="#">Y305193</a> |                          |               | Console  |
| 16   | 214519                  |                          |               | LABEL, ELECTRICAL INSTR. PART NOT USED-GAS MODELS ONLY |
| 17   | 303846                  | <a href="#">22003781</a> |               | Screw, Ground Strap                                    |
| 20   | <a href="#">Y313559</a> |                          |               | Screw  |
| 21   | 211294                  | <a href="#">90767</a>    |               | Screw, 8A X 3/8 HeX Washer Head Tapping                |
| 22   | Y312951                 |                          | Not Available | ACCESS COVER, BACK                                     |
| 23   | <a href="#">Y305086</a> |                          |               | Adjustable Leg And Nut                                 |
| 24   | <a href="#">Y314137</a> |                          |               | Foot, Rubber   |
| 25   | Y052740                 | <a href="#">62739</a>    |               | Nut, Lock  |
| 26   | Y303361                 |                          | Not Available | BASE ASSY. (UPPER & LOWER)                             |

27 213077

Not Available

CAP FOR TIMER KNOB

28 [307124](#)

Cabinet

29 [307104](#)

Top Cover Assembly

