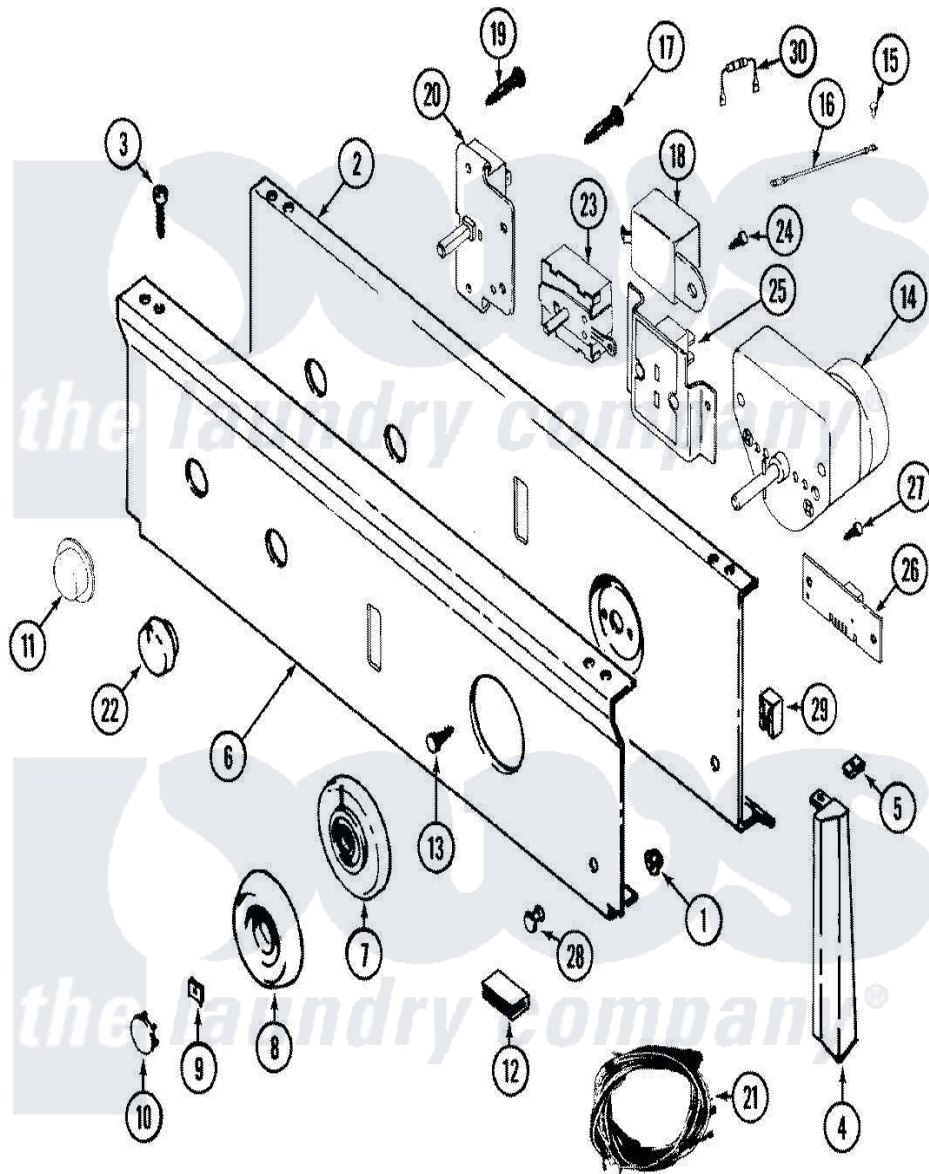


# Maytag LDG9334AAE 03 - CONTROL PANEL



Maytag Residential Maytag LDG9334AAE Dryer Parts Parts Diagram 03 - CONTROL PANEL  
 Click on the part number to view part

Item	Original Part Number	Replaced By	Status	Part Description
1	<a href="#">214872</a>			Palnut, End Cap Note: Nut, Lamp Holder
2	33001237		Not Available	PLATE, SUPPORT
3	<a href="#">210932</a>			Screw, No.8 X 9/16 Ctsk Note: Screw, Inlet Duct
4	22001565		Not Available	CAP, END (LT-WHT)
"	<a href="#">22001564</a>			Cap, End
"	<a href="#">22001291</a>			End Cap, Control Panel
"	22001289		Not Available	END CAP, CTRL. PNL. (LT-WHT)
5	<a href="#">214894</a>			Fastener, End Cap
6	<a href="#">33001072</a>			Panel, Control
7	<a href="#">33001183</a>			Skirt, Timer Dial
8	<a href="#">33001255</a>			Knob, Timer
9	<a href="#">312273</a>			Nut, Control Knob
10	216250	<a href="#">22001446</a>		Cap, Knob
11	33001185	<a href="#">33001187</a>		Button

12	<a href="#">214897</a>		Pad, Control Panel
13	315317	<a href="#">488234</a>	Screw 8-32 X 1/4
14	<a href="#">33001036</a>		Timer
15	210186	<a href="#">3370225</a>	Screw
16	<a href="#">204807</a>		Ground Wire, Supp. Plte To Top Cover
17	315317	<a href="#">488234</a>	Screw 8-32 X 1/4
18	Y308205	<a href="#">33001623</a>	Buzzer, Non-Adjustable
19	315317	<a href="#">488234</a>	Screw 8-32 X 1/4
20	33001232	Not Available	SWITCH, PUSH TO START
21	<a href="#">33001145</a>		Wire Harness, Main
"	<a href="#">33001545</a>		Harness, Wire
"	<a href="#">33001350</a>		Wire Harness, Main
22	22001268	Not Available	KNOB ASSY. (WHT)
23	33001225	Not Available	SWITCH, TEMP. (4 POSITION)
24	315317	<a href="#">488234</a>	Screw 8-32 X 1/4
25	<a href="#">33001047</a>		Display, Dryness Assembly
26	<a href="#">33001212</a>		Board, Control-Moisture Sensor
27	315317	<a href="#">488234</a>	Screw 8-32 X 1/4
28	22001215	<a href="#">7730P011-60</a>	Lens, Indicator Light
29	<a href="#">33001224</a>		Light, Indicator
30	<a href="#">33001105</a>		Resistor
31	16000327	Not Available	GUIDE, QUICK REF. - MAYTAG
"	<a href="#">33001259</a>		Manual, Use And Care

*the laundry company*<sup>®</sup>

*the laundry company*<sup>®</sup>