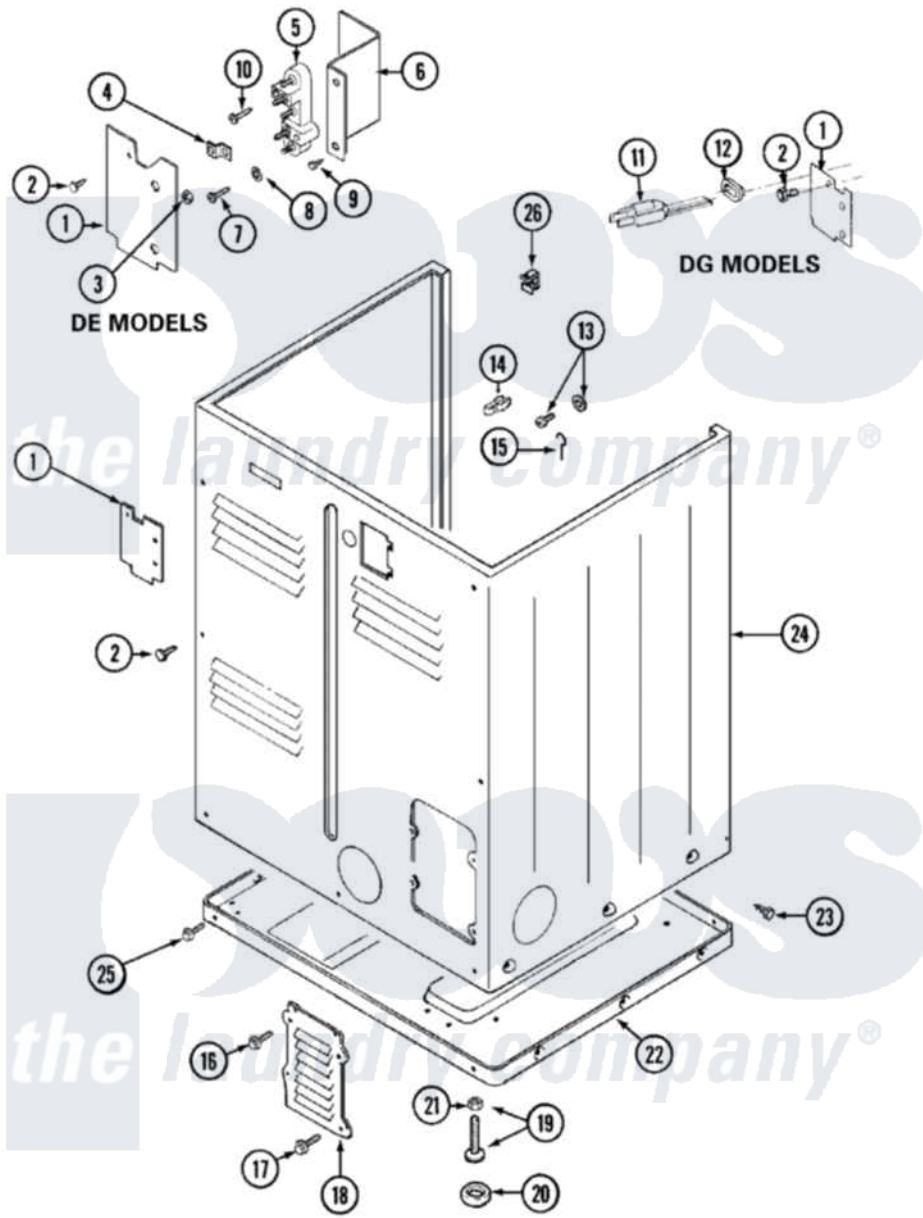


# Maytag LDG9814AAL 02 - CABINET-REAR



Maytag [Residential Maytag LDG9814AAL Dryer Parts](#) Parts Diagram 02 - CABINET-REAR  
 Click on the part number to view part

| Item | Original Part Number    | Replaced By              | Status        | Part Description                            |
|------|-------------------------|--------------------------|---------------|---|
| 1    | Y312905                 |                          | Not Available | COVER, TERMINAL                             |
| 2    | <a href="#">Y313561</a> |                          |               | Screw---NA                                  |
| 11   | 33001246                |                          | Not Available | CORD, POWER                                 |
| 12   | <a href="#">211881</a>  |                          |               | Grommet, Cord Part Not Used-Gas Models Only |
| 13   | 303846                  | <a href="#">22003781</a> |               | Screw, Ground Strap                         |
| 14   | <a href="#">301548</a>  |                          |               | Clamp, Ground Wire                          |
| 15   | <a href="#">204807</a>  |                          |               | Ground Wire, Supp. Plte To Top Cover        |
| 16   | <a href="#">Y313559</a> |                          |               | Screw                                       |
| 17   | 211294                  | <a href="#">90767</a>    |               | Screw, 8A X 3/8 HeX Washer Head Tapping     |
| 18   | Y312951                 |                          | Not Available | ACCESS COVER, BACK                          |
| 19   | <a href="#">Y305086</a> |                          |               | Adjustable Leg And Nut                      |
| 20   | <a href="#">Y314137</a> |                          |               | Foot, Rubber                                |
| 21   | Y052740                 | <a href="#">62739</a>    |               | Nut, Lock                                   |
| 22   | Y303361                 |                          | Not Available | BASE ASSY. (UPPER & LOWER)                  |

|    |                         |                         |                                |
|----|-------------------------|-------------------------|--------------------------------|
| 23 | <a href="#">213007</a>  |                         | Xfor Cabinet See Cabinet, Back |
| 24 | 33001160                | Not Available           | CABINET (ALM)                  |
| 25 | <a href="#">Y313561</a> |                         | Screw----NA                    |
| "  | Y310632                 | <a href="#">1163839</a> | Screw                          |
| 26 | <a href="#">Y310376</a> |                         | Clip, Door Switch Harness      |

