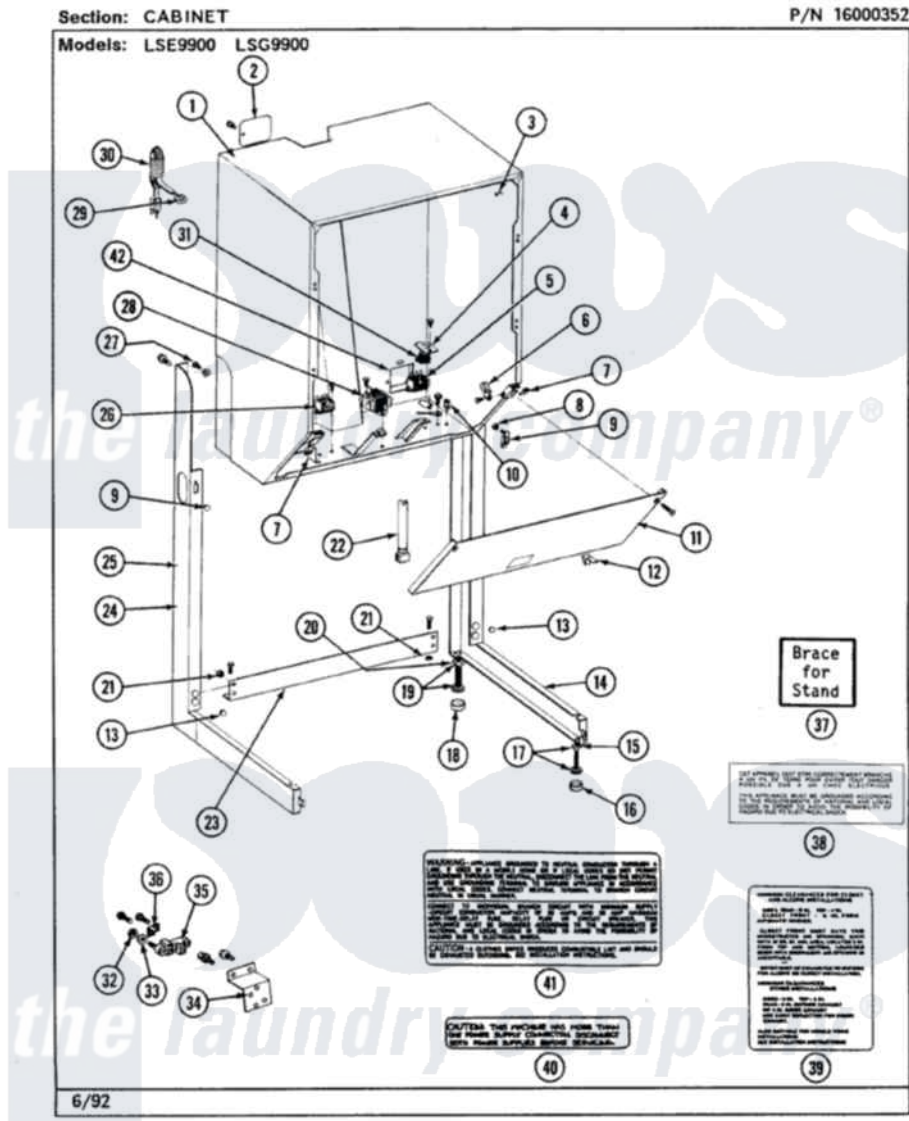


# Maytag LSE7800AEW 05 - CABINET-DRYER (LSE7800AEL,AEW)



6

Maytag Residential Maytag LSE7800AEW Stacked Washer and Dryer Parts Parts Diagram 05 - CABINET-DRYER (LSE7800AEL,AEW)

Click on the part number to view part

Item	Original Part Number	Replaced By	Status	Part Description
3	<a href="#">Y313561</a>			Screw----NA
4	314470		Not Available	COVER, TERMINAL
5	<a href="#">308055</a>			Cabinet
6	<a href="#">312548</a>			Fastener-Access Panel To CA
7	<a href="#">215954</a>			Screw
8	<a href="#">400008</a>			Block, Terminal
9	211168	<a href="#">W10139210</a>		Screw, 8-18 X 5/16
10	314532		Not Available	MOUNTING BRACKET
11	215948		Not Available	GROMMET
12	315264	<a href="#">74006784</a>		Clip, Harness
13	<a href="#">215075</a>			Fastener, Control Panel To Console
14	Y310632	<a href="#">1163839</a>		Screw
15	<a href="#">314489</a>			Guide, Pin
16	<a href="#">214872</a>			Palnut, End Cap Note: Nut, Lamp Holder

17	Y313262	<a href="#">W10116752</a>	Retainer-
18	<a href="#">211252</a>		Screw, Ground Wire
19	<a href="#">208213</a>		Wire Harness
20	<a href="#">314477</a>		Screw, Access Panel
21	306072	Not Available	ACCESS PANEL-WHITE
22	<a href="#">314482</a>		Fastener, Spring
23	<a href="#">314498</a>		Pad, Dryer Leg
24	306073	Not Available	LEG ASSM, (RT-WHT)
25	Y052740	<a href="#">62739</a>	Nut, Lock
26	<a href="#">Y314137</a>		Foot, Rubber
27	<a href="#">Y305086</a>		Adjustable Leg And Nut
28	<a href="#">210684</a>		Foot, Adjustable Leg
29	Y302699	<a href="#">22003428</a>	Leg, Adjustable
30	<a href="#">Y052721</a>		Nut, Terminal Block Plate
31	<a href="#">210385</a>		Lock Nut For Adjustable Leg
32	314499	Not Available	BRACE
33	<a href="#">214354</a>		Screw, Top Cover To Cabnt.
34	<a href="#">Y306110</a>		Stand, Dryer
35	306074	Not Available	LEG ASSM, LEFT-WHITE
36	303846	<a href="#">22003781</a>	Screw, Ground Strap
37	314663	<a href="#">214354</a>	Screw, Top Cover To Cabnt.
38	305205	<a href="#">694419</a>	Mini-Buzzer
39	211168	<a href="#">W10139210</a>	Screw, 8-18 X 5/16
42	214519		LABEL, ELECTRICAL INSTR. PART NOT USED-GAS MODELS ONLY
43	314486	Not Available	LABEL
44	306128	Not Available	BRACE FOR STAND- ACCESSORY
45	215960	Not Available	STRAIN RELIEF
46	215953	Not Available	SCREW

