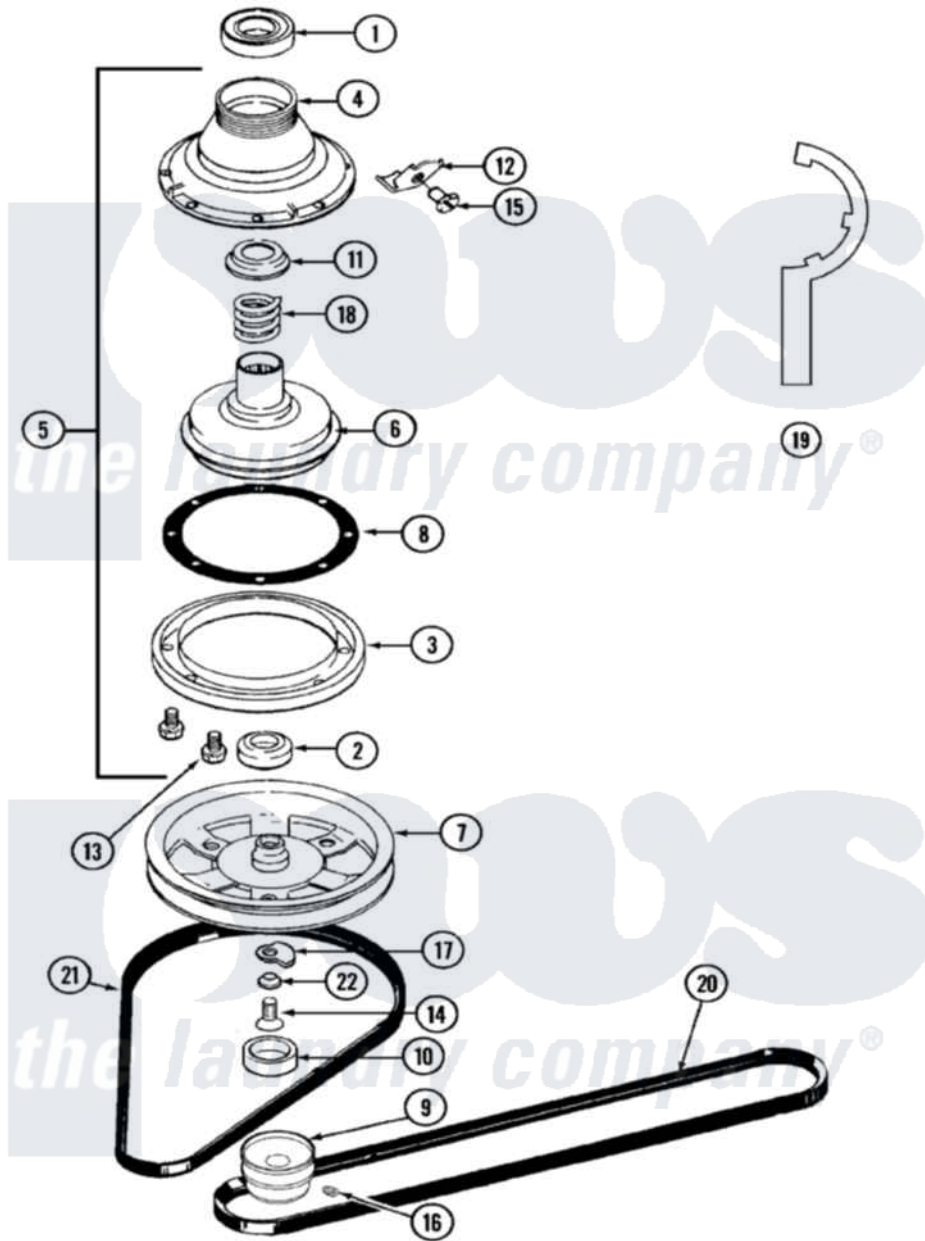


Maytag LSE7804ACE 04 - CLUTCH, BRAKE & BELTS



Maytag Residential Maytag LSE7804ACE Stacked Washer and Dryer Parts Parts Diagram 04 - CLUTCH, BRAKE & BELTS

[Click on the part number to view part](#)

| Item | Original Part Number | Replaced By | Status | Part Description |
|------|------------------------|---------------------------|---------------|------------------------------|
| 1 | Y200720 | 22003441 | | Bearing, Rear |
| 2 | 200835 | | | Bearing, Brake Rotor |
| 3 | 211043 | 6-2011900 | | Brake Asse |
| 4 | 211045 | 6-2011900 | | Brake Asse |
| 5 | 201190 | 6-2011900 | | Brake Asse |
| 6 | 201126 | 6-2011900 | | Brake Asse |
| 7 | 211059 | 6-2301530 | | Pulley |
| 8 | 211042 | 6-2011900 | | Brake Asse |
| 9 | 200816 | 6-2008160 | | Pulley- MO |
| 10 | 211038 | | Not Available | CAP, OIL RETAINER |
| 11 | 211039 | 6-2011900 | | Brake Asse |
| 12 | 213325 | | | Clip, Retaining |
| 13 | 211000 | | | SCREW, BRAKE DRUM (HEX HEAD) |
| 14 | 211375 | 681582 | | Screw |
| 15 | 213326 | | | Bolt, Sems Retaining Clip |

| | | | |
|----|-------------------------|---------------------------|-------------------------|
| 16 | Y053241 | | Set Screw, Motor Pulley |
| 17 | 211089 | | Lug, Stop Pulley |
| 18 | 211041 | 6-2011900 | Brake Asse |
| 19 | Y038315 | 038315 | Tool |
| 20 | 211124 | | Part Not Used |
| 21 | 211125 | | V Belt, Drive Pulley |
| 22 | 211090 | 22003555 | Washer, Stop Lug |

