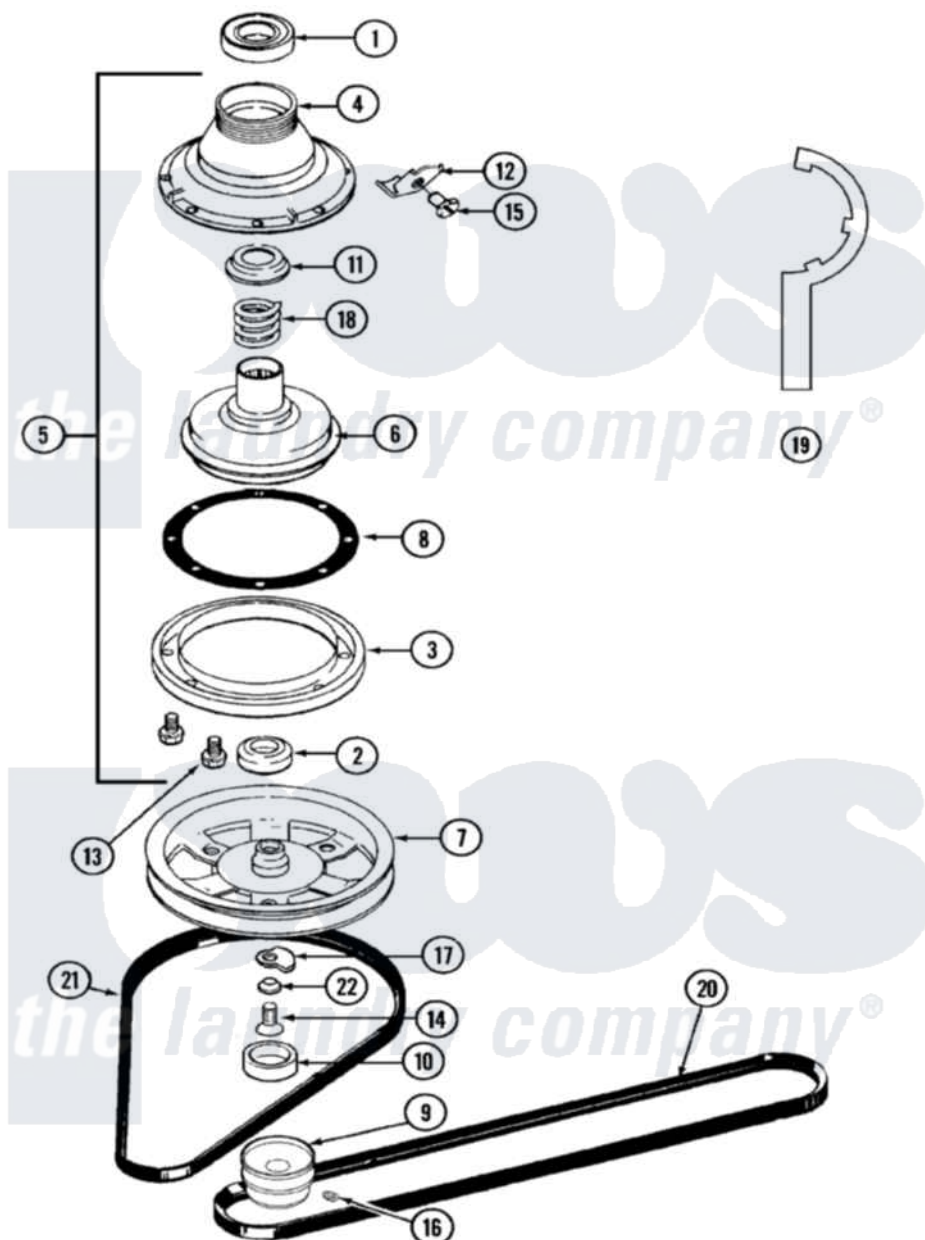


# Maytag LSE7804ACM 04 - CLUTCH, BRAKE & BELTS (LSE7804ACM & ADM)



Maytag Residential Maytag LSE7804ACM Stacked Washer and Dryer Parts Parts Diagram 04 - CLUTCH, BRAKE & BELTS (LSE7804ACM & ADM)  
 Click on the part number to view part

| Item | Original Part Number   | Replaced By               | Status        | Part Description             |
|------|------------------------|---------------------------|---------------|------------------------------|
| 1    | Y200720                | <a href="#">22003441</a>  |               | Bearing, Rear                |
| 2    | <a href="#">200835</a> |                           |               | Bearing, Brake Rotor         |
| 3    | 211043                 | <a href="#">6-2011900</a> |               | Brake Asse                   |
| 4    | 211045                 | <a href="#">6-2011900</a> |               | Brake Asse                   |
| 5    | 201190                 | <a href="#">6-2011900</a> |               | Brake Asse                   |
| 6    | 201126                 | <a href="#">6-2011900</a> |               | Brake Asse                   |
| 7    | 211059                 | <a href="#">6-2301530</a> |               | Pulley                       |
| 8    | 211042                 | <a href="#">6-2011900</a> |               | Brake Asse                   |
| 9    | 200816                 | <a href="#">6-2008160</a> |               | Pulley- MO                   |
| 10   | 211038                 |                           | Not Available | CAP, OIL RETAINER            |
| 11   | 211039                 | <a href="#">6-2011900</a> |               | Brake Asse                   |
| 12   | <a href="#">213325</a> |                           |               | Clip, Retaining              |
| 13   | 211000                 |                           |               | SCREW, BRAKE DRUM (HEX HEAD) |
| 14   | 211375                 | <a href="#">681582</a>    |               | Screw                        |

|    |                         |                           |                           |
|----|-------------------------|---------------------------|---------------------------|
| 15 | <a href="#">213326</a>  |                           | Bolt, Sems Retaining Clip |
| 16 | <a href="#">Y053241</a> |                           | Set Screw, Motor Pulley   |
| 17 | <a href="#">211089</a>  |                           | Lug, Stop Pulley          |
| 18 | 211041                  | <a href="#">6-2011900</a> | Brake Asse                |
| 19 | Y038315                 | <a href="#">038315</a>    | Tool                      |
| 20 | <a href="#">211124</a>  |                           | Part Not Used             |
| 21 | <a href="#">211125</a>  |                           | V Belt, DiVe Pulley       |
| 22 | 211090                  | <a href="#">22003555</a>  | Washer, Stop Lug          |

