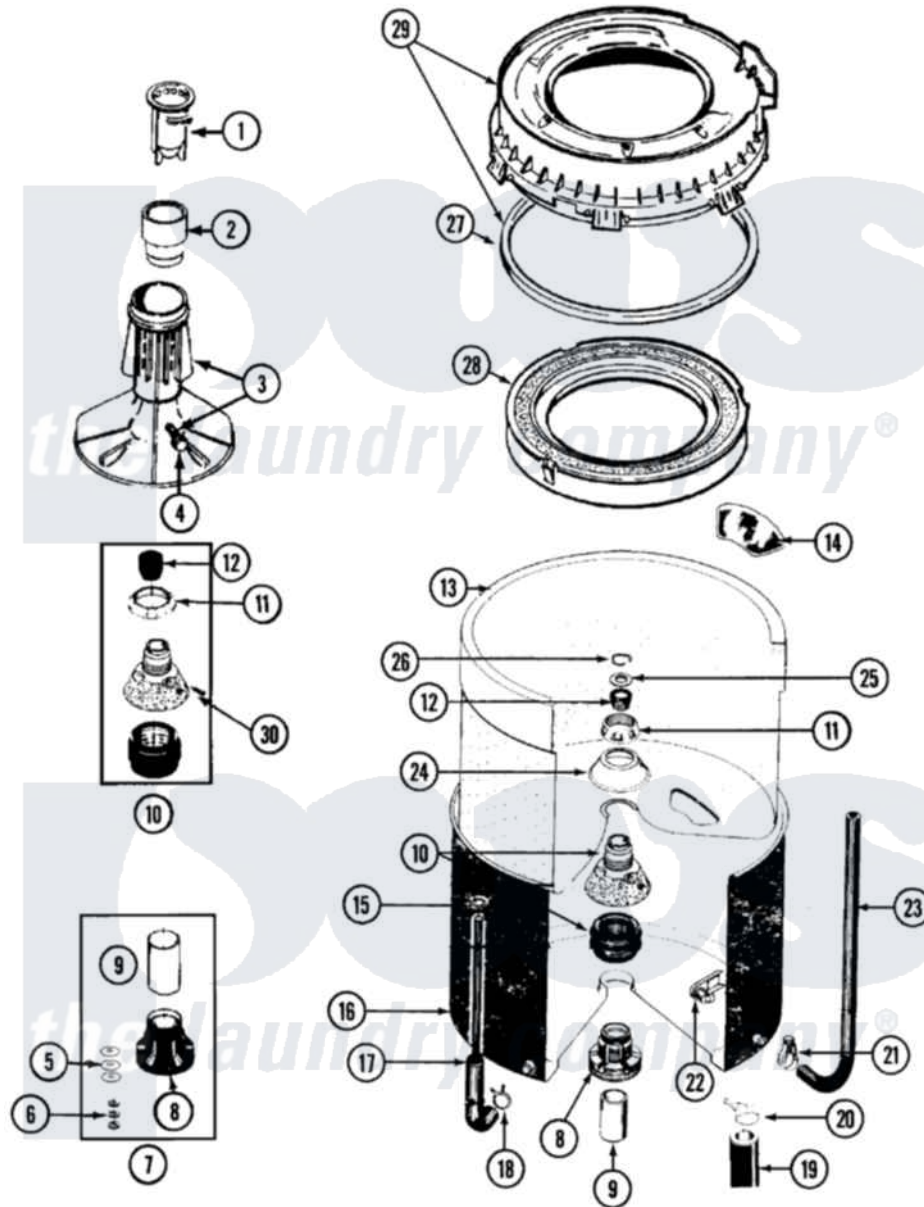


# Maytag LSE7804ADE 14 - TUB



Maytag Residential Maytag LSE7804ADE Stacked Washer and Dryer Parts Parts Diagram 14 - TUB  
 Click on the part number to view part

Item	Original Part Number	Replaced By	Status	Part Description
1	<a href="#">22001294</a>			Cup, Dispensing
2	<a href="#">22001295</a>			Housing, Dispenser
3	<a href="#">207538</a>			Agitator W/Lock Screw
4	206478		Not Available	SCREW & WASHER FOR AGITATOR
5	<a href="#">211100</a>			Washer, Outer Tub
6	<a href="#">Y054867</a>			Washer, Lock
7	204013	<a href="#">6-2040130</a>		Tub Bearin
8	200824	<a href="#">6-2040130</a>		Tub Bearin
9	<a href="#">211130</a>			Bearing Liner, Tub Bearing
10	204012	<a href="#">6-2095720</a>		Mounting S
"	22001648	<a href="#">6-2095720</a>		Mounting S
11	211047	<a href="#">6-2110472</a>		Nut- Clamp
12	Y0A4298	<a href="#">6-0A57420</a>		Seal- Agitator
13	22001140	<a href="#">Y2201881</a>		Tub, Inner Short White SP
14	<a href="#">207219</a>			Filter, Self-Cleaning
15	410296	<a href="#">596669</a>		Clamp, Manifold

16	22001116	Not Available	TUB, OUTER (STACK)
17	22001073	<a href="#">22001616</a>	Tube, Air
18	<a href="#">211641</a>		Clamp, 1-1/16"
19	<a href="#">213045</a>		Hose, Outer Tub Part Not Used
20	201011	<a href="#">285655</a>	Clamp, Hose
21	205161	<a href="#">489503</a>	Clamp
22	<a href="#">214434</a>		Spout, Deflector
23	<a href="#">214495</a>		Tube, Inlet To Tub
24	<a href="#">211210</a>		Washer, Clamping Nut
25	<a href="#">Y015666</a>		Washer, Retaining -
26	<a href="#">Y015667</a>		Retaining Ring
27	<a href="#">22001007</a>		Gasket, Cover To Tub
28	<a href="#">22001142</a>		Ring, Balance
29	<a href="#">22001299</a>		Tub Cover And Gasket Assembly
30	211618	<a href="#">22001423</a>	Set Screw, Mounting Stem

